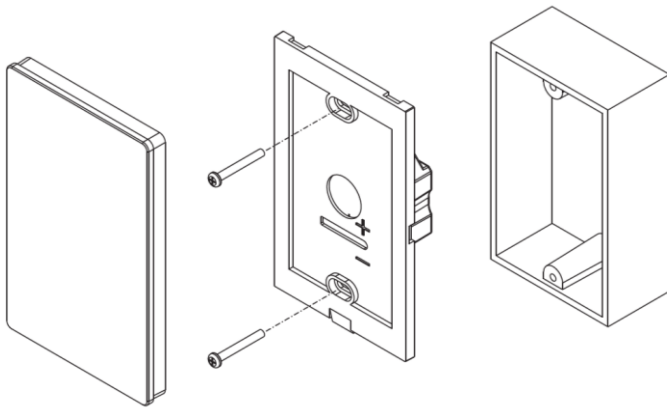


Installation

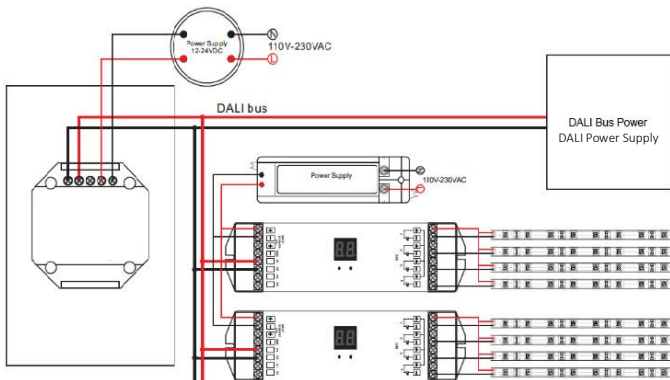


Designed to be installed within an installation grade junction box with an bolt spacing of **82.5mm** centre to centre.

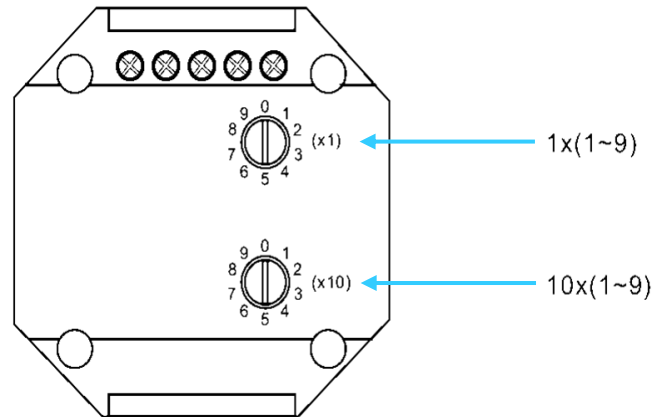
- This product should be installed and serviced by a qualified person.
- Do not expose this unit to direct sunlight or water. If installed outdoors, ensure it is mounted within a waterproof enclosure.
- Never connect any cables whilst the power is on and always assure correct connections before switching on to avoid short circuits and irreversible damage.
- Ensure the output voltage of any power supplies used comply with the working voltage of the unit.
- This product should be installed and serviced by a qualified person.
- Always be sure to mount this unit in an area with proper ventilation to avoid overheating.

Note: This product requires a **DALI power supply** for proper functioning

Wiring Schematic



Introduction to Addressing



Set the starting address "X" on rear using the rotary encoders to a value between 0 and 63 using both the (10x) and (1x).

e.g. '3' (on the 10x rotator) & '6' (on the 1x rotator) = **36**

Once set;

- Z1 will control DALI address "X"
- Z2 will control DALI address "X"+1
- Z3 will control DALI address "X"+2
- Z4 will control DALI address "X"+3

Saving a State

After wiring the unit as depicted in the wiring schematic, follow the following steps to save a desired aesthetic:

1) Power on

2) Program the zone

To do this hold Zone button Z1 for 2+ seconds. When the blue backlight is illuminated, it signifies the zone is active. When the backlight is amber it signifies that the zone is OFF.

Once the blue light comes on, use the slider to activate the lights and set your zone.

3) Save the look

To save the look to either S1/S2/S3's memory, move the slider to the desired look then hold the desired State button for 2 seconds to save. The LED will flash once this has been saved.



Recalling States

To recall any of your saved states, simply touch the corresponding state button. The controller will then fade between each of these states over a duration of 2 seconds.

The Standby button will fade all values to 0 over a duration of 2 seconds.

