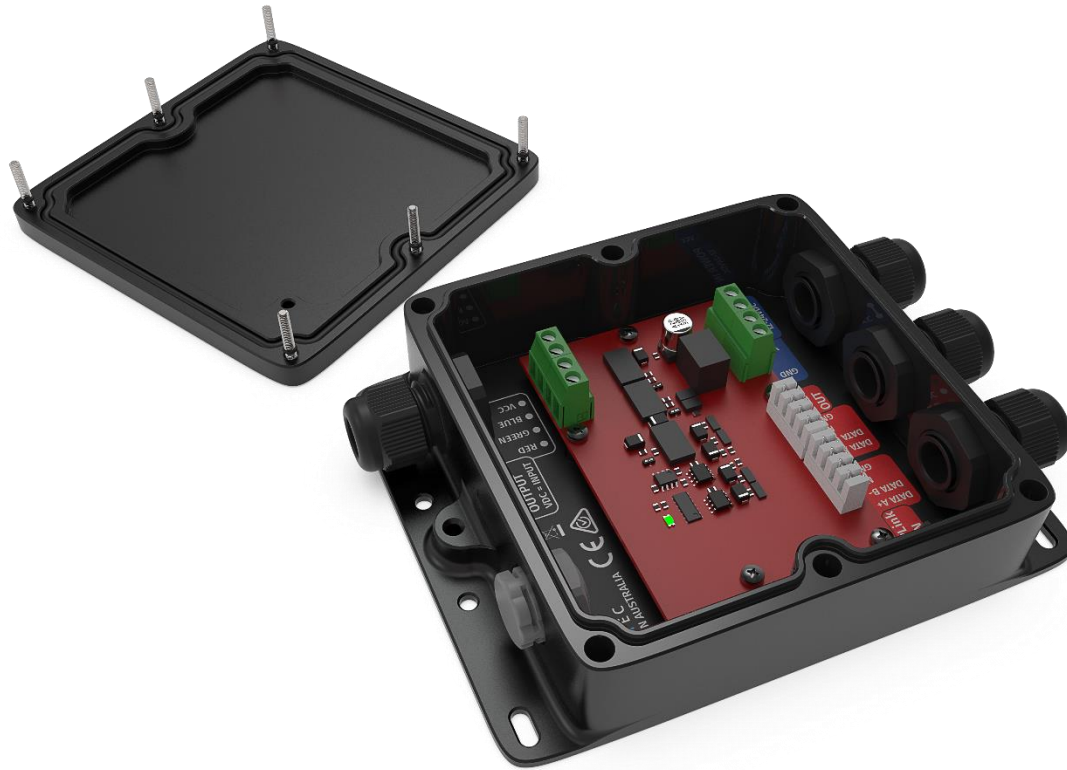


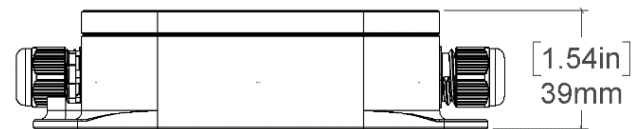
IP66 CVC3 (CC1-36)

IP66 3-CHANNEL CONSTANT VOLTAGE LED TAPE DRIVER

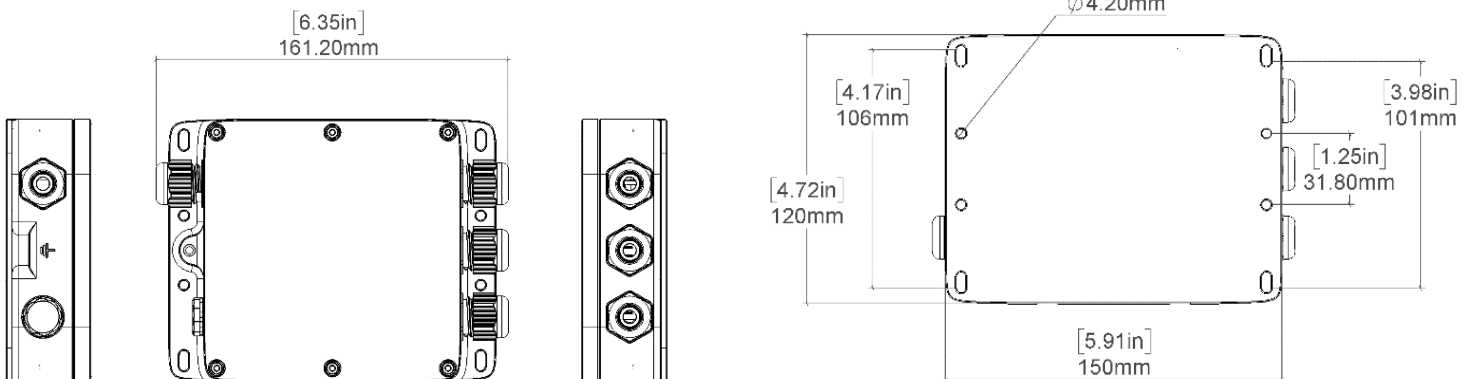


Box Contents

- IP66 CVC3 (CC1-36) PN: 73921
- This user manual



Physical Dimensions



Safety

- Never plug PLINK ports in to Ethernet outlets
- Disconnect from power supply, and then make data connections
- Do not exceed the ratings of the device

Functional Features

- CVC3 supports standard RGB Tape such as ENTTEC 9VL4
- Each CVC3 unit can control 3 dimmable channels of LED tape (either RGB or three individual single colour strips)
- Each PLINK run allows a maximum of 1024 DMX channels (2 universes) to be driven; this controls 1,020 single colour tapes
- Automatic incremental addressing when units are daisy chained together
- This device is compatible with ENTTEC Pixelator family
- Requires an external DC power supply
- Data extensions up to 300 meters over cat6
- Scalable design for large projects

LED Protocol

- This device is compatible with ENTTEC Pixelator family
- Please set the LED protocol to WS2812B

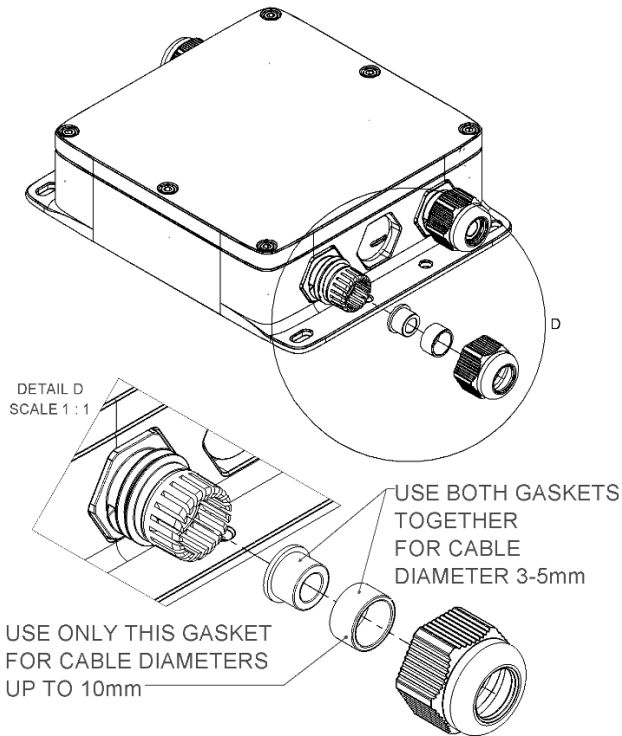
Mechanical Features

- Machined 6061 aluminium enclosure - light weight, rugged, impact resistant, long lasting, corrosion resistant, UV resistant)
- Anodise type II closure treatment and 2 step electrolytic dying - excellent outdoor resilience, corrosion resistant, colour will resist fading caused by UV exposure
- 304 stainless fasteners (corrosion resistant)
- Self-retaining screws (screws will not be lost when installing)
- Premium cable glands (nylon, cable diameter Ø3mm-10mm for installation flexibility)
- Fixed cable glands for easy use (cable glands will not rotate when tightening)
- Breath seal (automatic pressure equalisation, manages condensation to avoid electronic failures)
- IP66 enclosure (powerful water jets, high pressure washdown resistant)
- High power screw down cage terminal blocks for secure wiring
- Krone punch down terminal for fast secure data wiring
- External earthing thread - reduces electronic failures
- Broad operating temperature (suitable for various environments)
- Multiple fixing points (flexible installation)

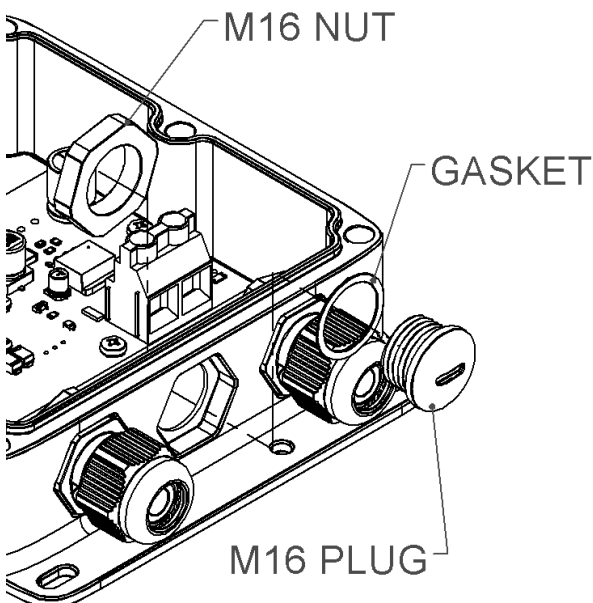
How to install?

Installation guide

- Cable glands suit diameters 3mm to 10mm, use round cable only. See image below explaining the adjustment.



- If not required remove cable gland, assemble blanking plug as per below image. Hold plug in place and turn the nut firmly.



- **PLINK Data connection:** Connect PLINK Data cable (from Pixelator family) here. These are punch down terminals, it's recommended to use a krone punch down tool.

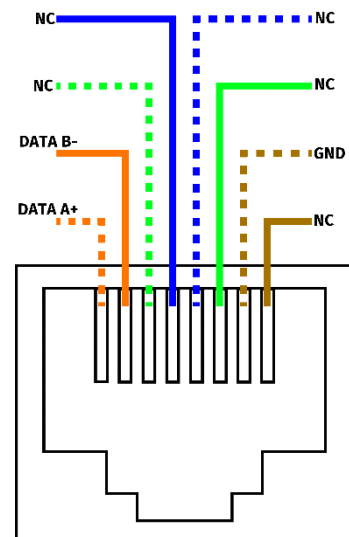
Notes:

- Plink system only works with CAT5/6 straight-through cables, do not use crossover cables.

• Plink Pinout

Wire colour depends on RJ45 wiring colour code. Refer to Pin 1 & 2 colour of straight through RJ45 cable to match wire colour for Data A+ & Data B-

- Example of T568B colour code and wire colour for Data A+ & Data B-



CVC3 Punch down pinout with T568B colour code

Wire Colour	DMX Signal
Orange/White	Data A+
Orange	Data B-
Brown/White	GND

- **Power Input connection:** Green terminal blocks

Wire strip length: 8mm

Before inserting wire, turn screws counter-clockwise to ensure terminal cages are open.



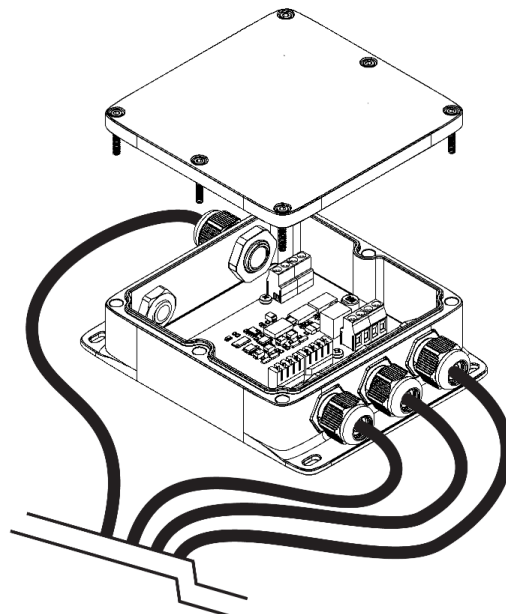
- **Output connection:** Green terminal blocks

Connect your Pixel tape or dots here. Please ensure that Input power is turned off, before making this connection.

Wire strip length: 8mm

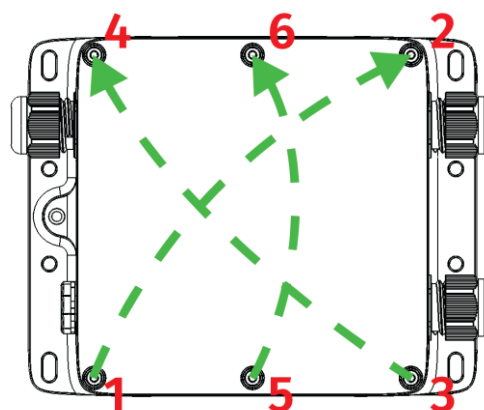


- Fastening the lid



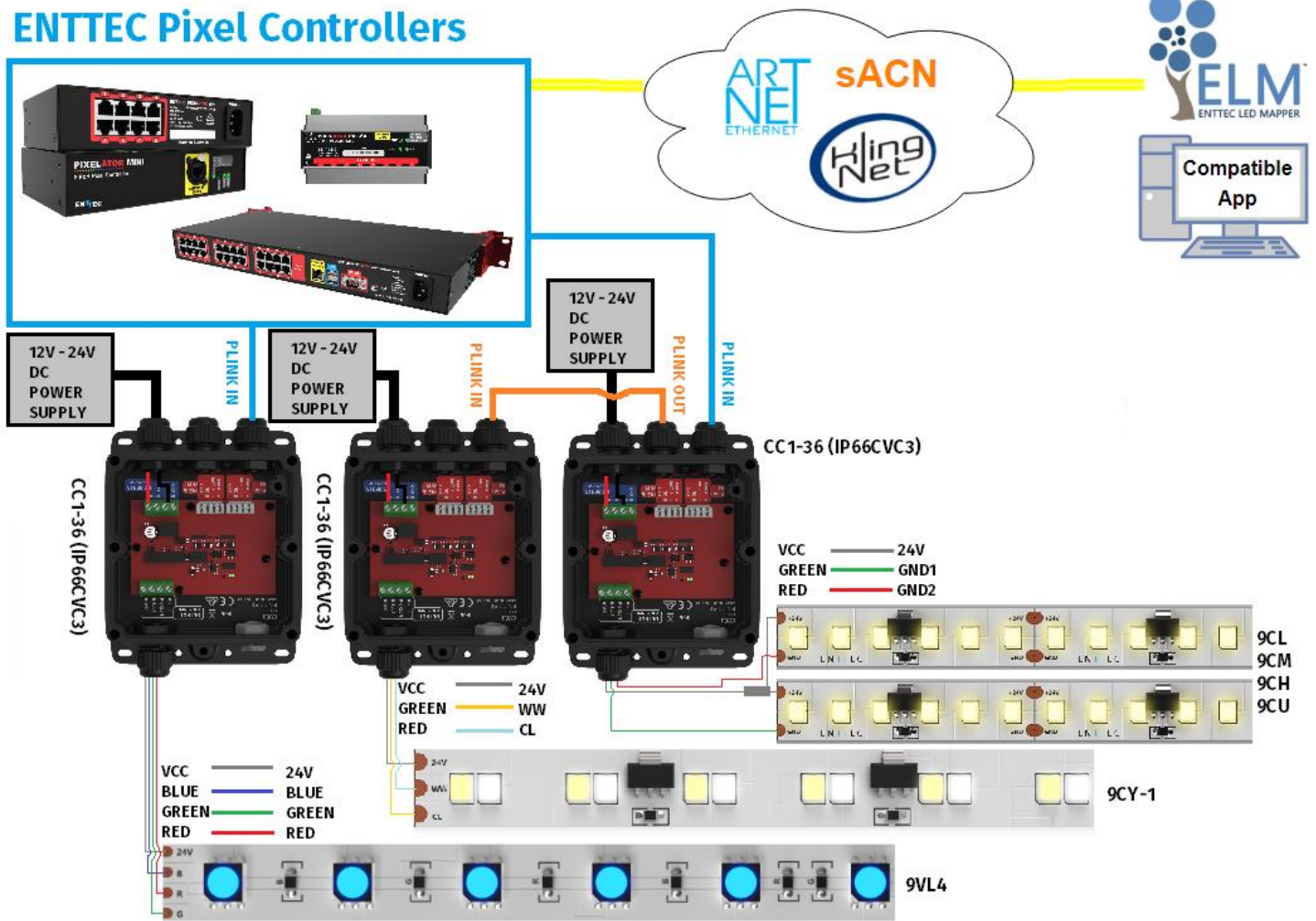
Tool: Hex key 2.5mm

Lightly tighten the screws at first, zig zag as per image below. Then zig zag again to each screw and firmly tighten each.

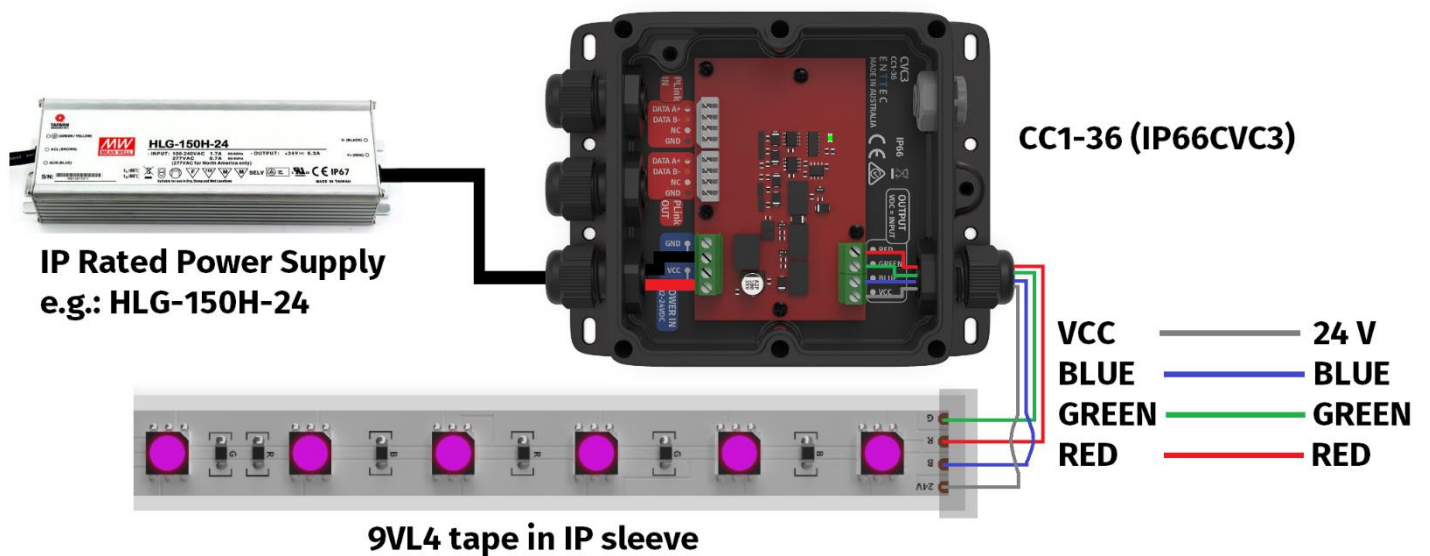


Application Diagram

ENTTEC Pixel Controllers



Possible End to End Solution



Specifications

Item	Details	
Input Voltage	12V to 24v DC	
Maximum Total Output Power	12 V	120 W
	24 V	240 W
Output Current (Max) Per Pin (Screw Terminal)	5 A per Channel	
Data In	PLINK	
Data Through	PLINK	
Data Refresh Rate	400 Hz	
Ambient Operating Temperature	-15 °C to 40 °C -15 °C to 60 °C (IF NOT IN DIRECT SUNLIGHT)	
Storage Temperature	-20 °C to 80 °C	
IP Rating	IP66	
Cable glands	3 to 10mmØ round cable only	
Unit Weight	625 g / 1.378 lb	
Shipped weight	840 g / 1.85 lb	
Length	161.20mm / 6.35 in	
Width	120mm / 4.72 in	
Height	39mm / 1.54 in	
Internal Connectors	4-way punch down (suits krone) x 2 4 pin screw terminal x 2	

Due to continuous improvements and innovations of all ENTTEC products, specifications and features are subject to change without notice

Ordering Information

Part Number	Description
73921	CC1-36 CVC3 (12-24v)

enttec.com

MELBOURNE AUS / LONDON UK / DURHAM NC, USA