

## IP66 PLINK INJECTOR (PJ1-56)

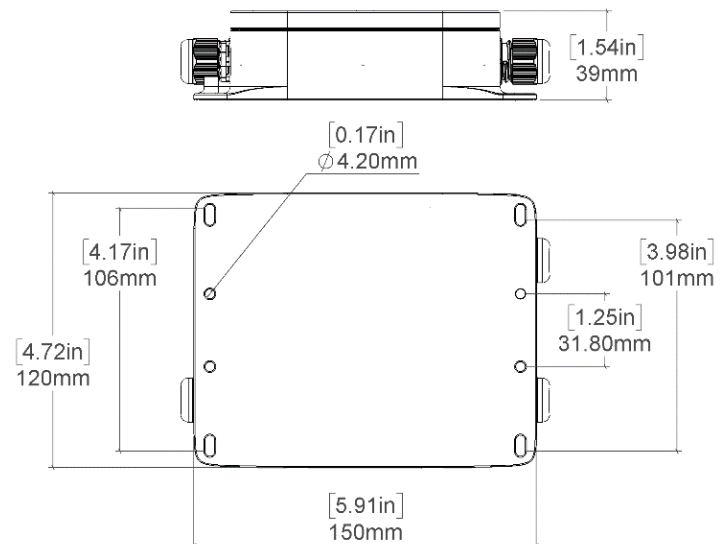
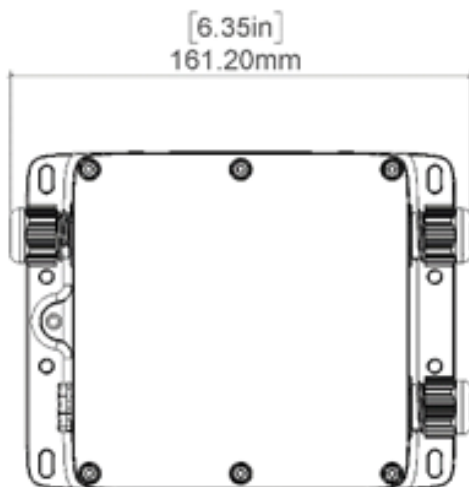
### IP66 PIXEL LED DRIVER



#### Box Contents

- IP66 PLINK Injector (PJ1-56) PN: 73923
- This user manual

#### Physical Dimensions



#### Safety

- Never plug PLINK ports in to Ethernet outlets.
- Make all the connections before you plug in the main power supply.
- Do not exceed the ratings of the device.

## Features

- IP66 Plink supports a variety of smart pixel tape and dots
- Data extensions up to 100 meters over cat6 cable
- Each plink run allows a maximum of 1024 DMX channels (2 universes) to be driven; this can be used to control up-to 340 RGB individual pixels (or up-to 256 RGBW)
- This device is compatible with ENTTEC Pixelator family
- Requires an external DC power supply
- Scalable design for large projects
- Ideal for custom pixel LED installations

## Mechanical Features

- Machined 6061 aluminium enclosure - light weight, rugged, impact resistant, long lasting, corrosion resistant, UV resistant)
- Anodise type II closure treatment and 2 step electrolytic dying - excellent outdoor resilience, corrosion resistant, colour will resist fading caused by UV exposure
- 304 stainless fasteners (corrosion resistant)
- Self-retaining screws (screws will not be lost when installing)
- Premium cable glands (nylon, cable diameter  $\varnothing$ 3mm-10mm for installation flexibility)
- Fixed cable glands for easy use (cable glands will not rotate when tightening)

- Breath seal (automatic pressure equalisation, manages condensation to avoid electronic failures)
- IP66 enclosure (powerful water jets, high pressure washdown resistant)
- High power screw down cage terminal blocks for secure wiring
- Krone punch down terminals for fast secure data wiring
- External earthing thread - reduces electronic failures
- Broad operating temperature (suitable for various environments)
- Multiple fixing points (flexible installation)

### Notes:

- Plink system only works with CAT5/6 straight-through cables, do not use crossover cables.

Section Intentionally Left Blank

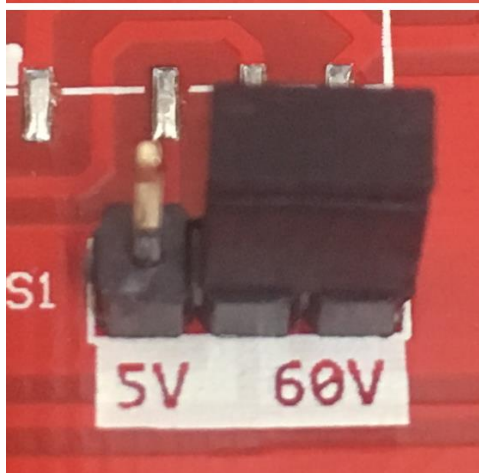
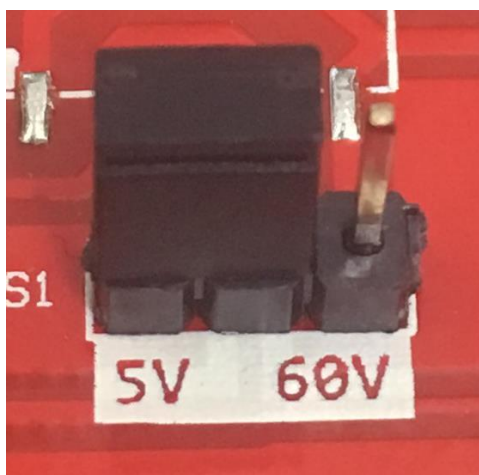
## How to install?

### Installation guide

- **IMPORTANT! VOLTAGE INPUT SETTING**

This product has 2 settings for the voltage input, 5V and 12-60V. If the voltage is not correctly set this product will fail. See below for correct positions. The user of this product must ensure this component is correctly positioned.

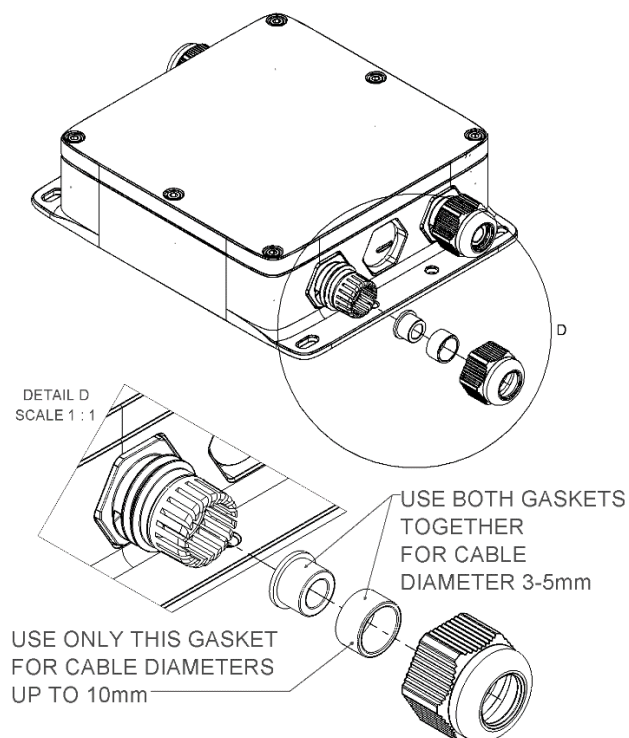
#### SET FOR 5V INPUT (BELOW)



#### SET FOR 12V-60V INPUT (ABOVE)

**Note:** By default, PJ1-56 is set to 60V.

- Cable glands suit diameters 3mm to 10mm, see image below explaining the adjustment.



- **Input connection:** Green terminal blocks

Wire strip length: 8mm

Before inserting wire, turn screws counter-clockwise to ensure terminal cages are open.



- **Output connection:** Green terminal blocks

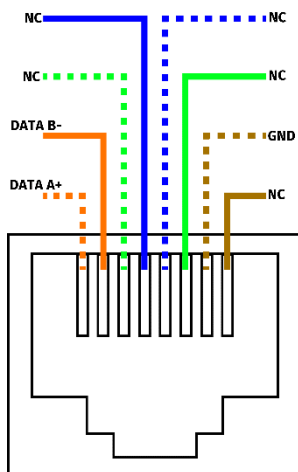


- **Plink Data connection:** Punch down terminals, use a krone punch down tool.

- **Plink Pinout**

Wire colour depends on RJ45 wiring colour code. Refer to Pin 1 & 2 colour of straight through RJ45 cable to match wire colour for Data A+ & Data B-

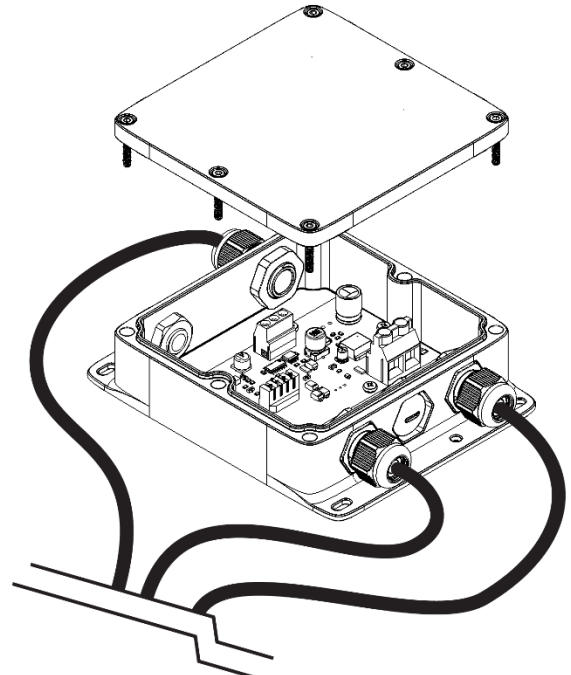
- Example of T568B colour code and colour for Data A+ & Data B-



**Plink Punch down pinout with T568B colour code**

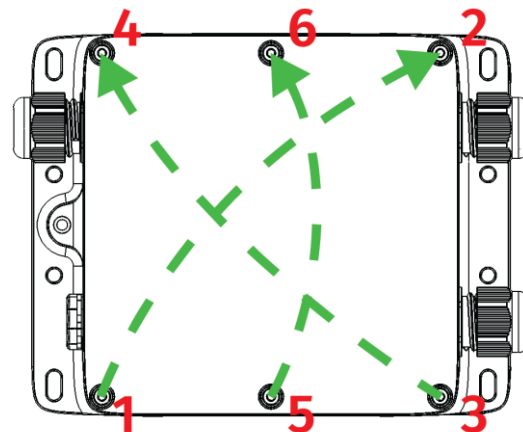
Wire Colour	DMX Signal
Orange/White	Data A+
Orange	Data B-
Brown/White	GND

- **Fastening the lid**



Tool: Hex key 2.5mm

Lightly tighten the screws at first, zig zag as per image below. Then zig zag again to each screw and firmly tighten each.



## Specifications

Item	Details	
<b>Input Voltage</b>	5 to 60 V DC	
<b>Maximum Total Output Power</b>	5 V	50 W
	60 V	130 W
<b>Output Current (Max) Per Pin (Screw Terminal)</b>	10 A per Channel	
<b>Data In</b>	PLINK	
<b>Data Through</b>	PLINK	
<b>Data Refresh Rate</b>	400 Hz	
<b>Ambient Operating Temperature</b>	-15 °C to 40 °C -15 °C to 60 °C (IF NOT IN DIRECT SUNLIGHT)	
<b>Storage Temperature</b>	-20 °C to 80 °C	
<b>Humidity</b>	5% to 95%	
<b>IP Rating</b>	IP66	
<b>Unit Weight</b>	625 g / 1.378 lb	
<b>Shipped weight</b>	840 g/ 1.85 lb	
<b>Length</b>	161.20 mm/6.35 inches	
<b>Width</b>	120 mm/ 4.72 inches	
<b>Height</b>	39 mm/1.54 inches	
<b>Internal Connectors</b>	4-way punch down (suits krone) x 1 2 pin screw terminal x 1 3 pin screw terminal x 1	

Due to continuous improvements and innovations of all ENTTEC products, specifications and features are subject to change without notice

## Ordering Information

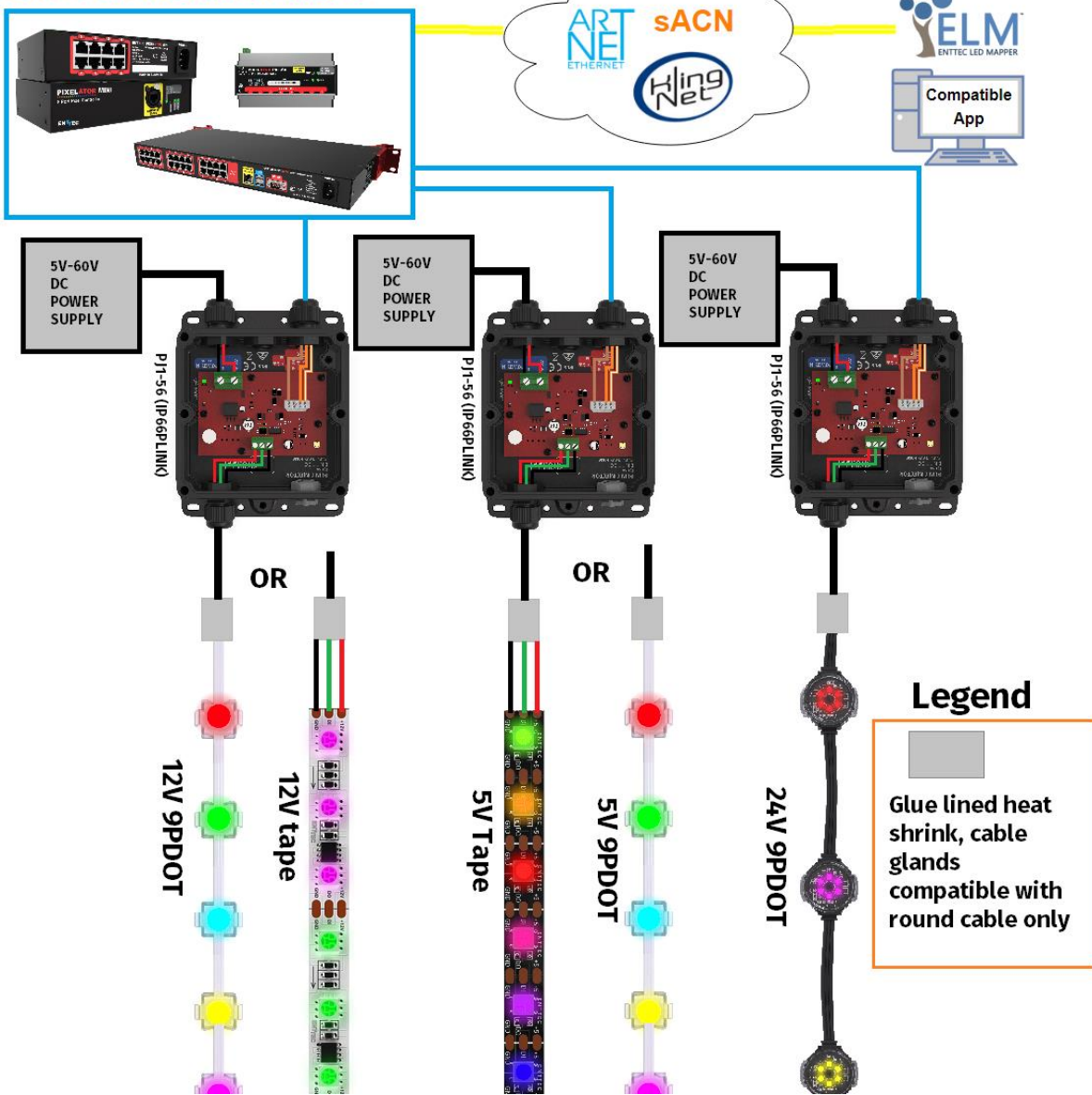
Part Number	Description
<b>73923</b>	IP66 PLINK Injector (PJ1-56)

# enttec.com

MELBOURNE AUS / LONDON UK / DURHAM NC, USA

## Possible Application Diagram

### ENTTEC Pixel Controllers



## Possible End to End Solution

