

## RDS SPLITTERS



### Features

- RDS4: 1 DMX input and 4 DMX outputs. All connectors are XLR 5-Pin.
- RDS8: 1 DMX input and 8 DMX outputs. All connectors are XLR 5-Pin.
- Normal mode: splitter actively repeats RDM traffic bidirectionally while level information goes from controller to DMX devices as usual
- Filter Mode: Single button-press allows all RDM traffic to be filtered out, for legacy devices which might flicker if they see RDM messages on the line
- ByPass Mode: Another button bypasses intelligent RDM functionality completely to work as a traditional DMX splitter would
- Fully compliant with USITT DMX512-A
- RDM enabled - ANSI E1.20 compliant
- Internal auto-ranging power supply
- 1500 V full isolation

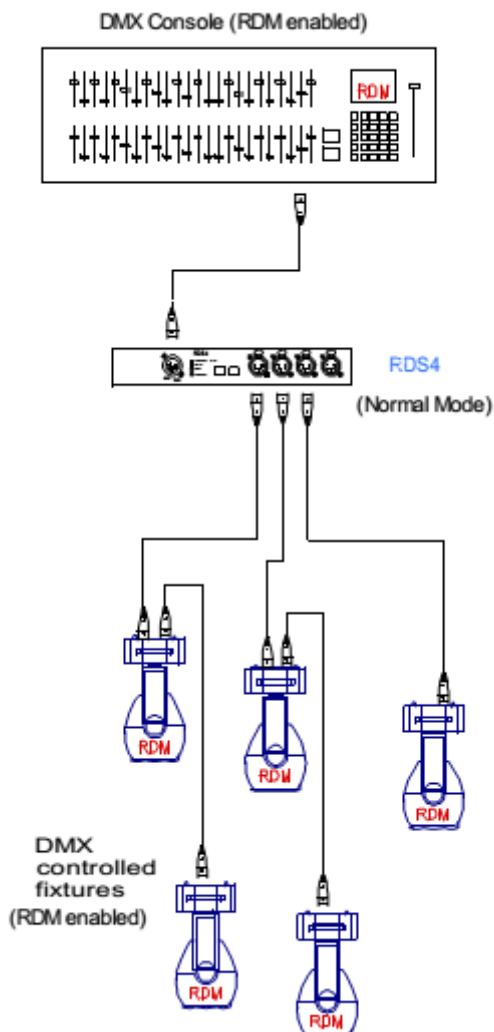
### Safety

- Do not expose to rain or moisture, doing this will void the warranty
- Do not remove the cover, there are no serviceable parts inside
- This unit is intended for indoor use only
- Wherever possible, use certified DMX cables for better reliability.

### Specifications

Item	Product Name	
	RDS8 70036	RDS4 70037
<b>Input Voltage</b>	85 - 264V AC	
<b>Input Frequency</b>	47 - 63 Hz	
<b>DMX input connectors</b>	1x5-pin Male XLR	
<b>DMX output connectors</b>	8x5-pin Female XLR	4x5-pin Female XLR
<b>Power connector</b>	1xIEC mains connector	
<b>DMX connector pin OUT</b>	Pin 1: Ground Pin 2: Data - Pin 3: Data + Pin 4: NC Pin 5: NC	
<b>Ambient Operating Temperature</b>	0 ... +50 °C	
<b>Unit Weight</b>	1.8 Kg / 3.96 lb	0.75 Kg / 1.65 lb
<b>Dimensions (mm)</b>	432 x 115 x 44.45	300 x 115 x 44.45
<b>Dimensions (in)</b>	17 x 4.53 x 1.75"	11.82 x 4.53 x 1.75"

## Wiring Diagrams



## Ordering Information

RDS Splitters and related products can be ordered from our website or through your ENTTEC dealer using the following part numbers.

Part Number	Description
<b>70037</b>	RDS4
<b>70036</b>	RDS8
<b>70029</b>	5-pin to 3-pin DMX Adapter
<b>79122</b>	5-pin DMX Terminator
<b>79126</b>	0.5m 5-pin DMX Cable
<b>79133</b>	2.0m 5-pin DMX Cable
<b>79135</b>	5.0m 5-pin DMX Cable
<b>79135</b>	10.0m 5-pin DMX Cable

# enttec.com

MELBOURNE AUS / LONDON UK / RALEIGH-DURHAM USA