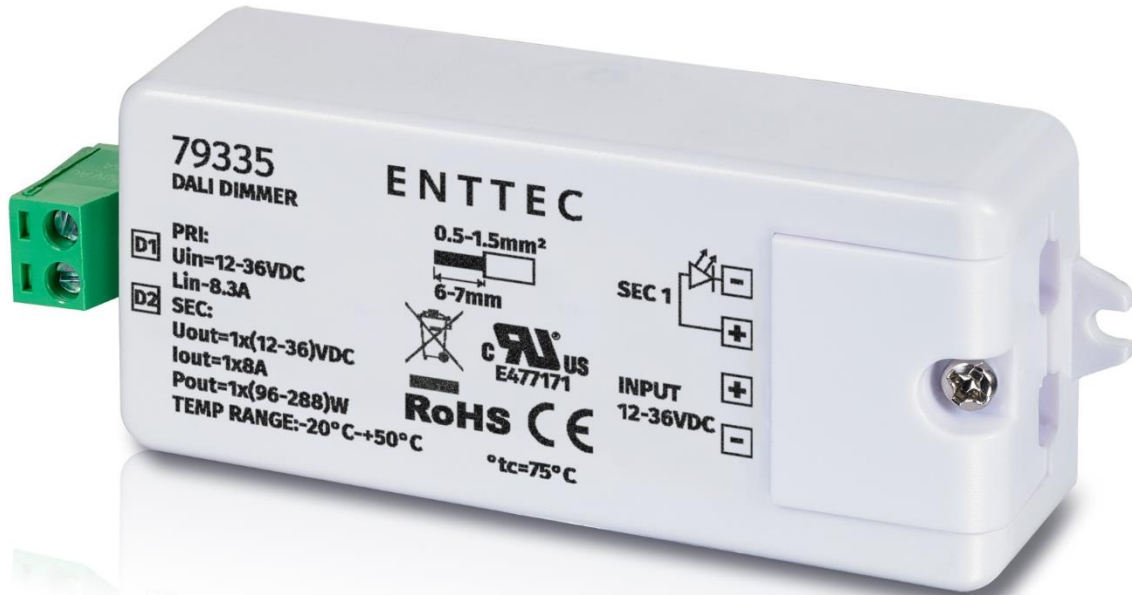


DALI 8A 12-36V LED DIMMER

DALI LED Dimmer



General Information

- DALI single channel PWM dimmer
- Smooth full range logarithmic fade curve tuned to human vision.
- This device will require an external DC power supply for normal operation. (not included)

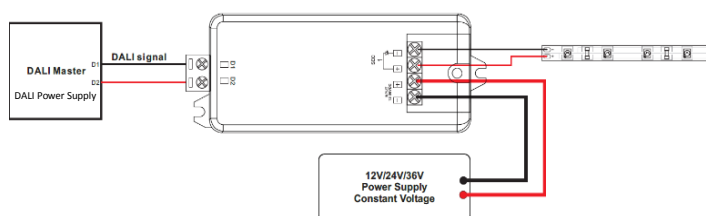
Features

- 1 channel ultra-high PWM output
- Screw terminal connections.
- Two holes for wall mounting.
- IP20 moulded shell.

Technical Specifications

Item	Value
Input Voltage	Input voltage 12VDC-36VDC
Maximum Current	8A (96-288W)
Max Output Channels	1
Supported Protocols	DALI (IEC 60929 & IEC 62386)
Control Resolution	8 bit dimming (256 graduations)
Connectors	Screw terminals
Environment	Ambient: 20 C to +50 C Humidity: 0-50% non-condensing
IP Rating	IP20

Wiring Schematic



Installation

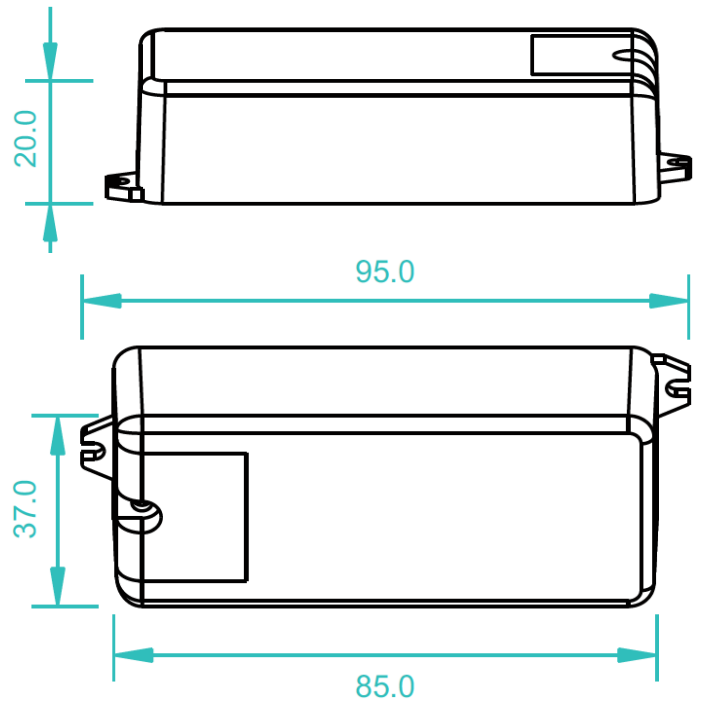
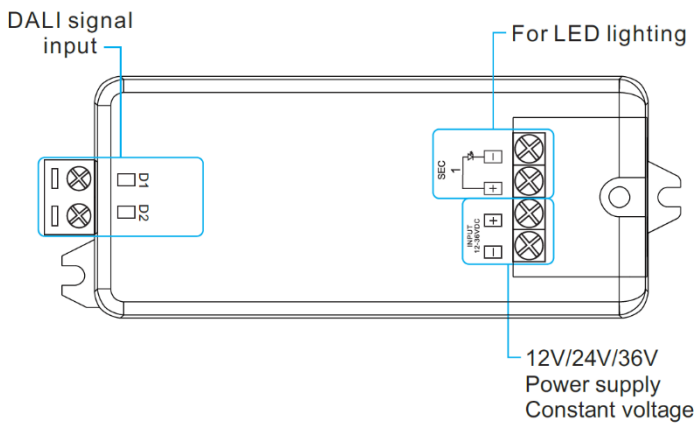
- This product should be installed and serviced by a qualified person.
- Do not expose this unit to direct sunlight or water. If installed outdoors, ensure it is mounted within a waterproof enclosure.
- Never connect any cables whilst the power is on and always assure correct connections before switching

on to avoid short circuits and irreversible damage.

- Ensure the output voltage of any power supplies used comply with the working voltage of the unit.
- This product should be installed and serviced by a qualified person.
- Always be sure to mount this unit in an area with proper ventilation to avoid overheating.

Note: This product requires a **DALI power supply** for proper functioning

Driver Layout



Due to continuous improvements and innovations of all ENTTEC products, specifications and features are subject to change without notice. For the latest version of this manual contact your local ENTTEC vendor.

Dimensions

Item	Value
Weight	50 g
Height	20.0 mm
Width	37.0 mm
Length	95.0 mm

Ordering Information

ENTTEC DALI Dimmer and related products can be ordered from our website or through your ENTTEC dealer using the following part numbers.

Item	Value
79335	DALI 8A 12-36V LED DIMMER



enttec.com

MELBOURNE AUS / LONDON UK / RALEIGH-DURHAM USA