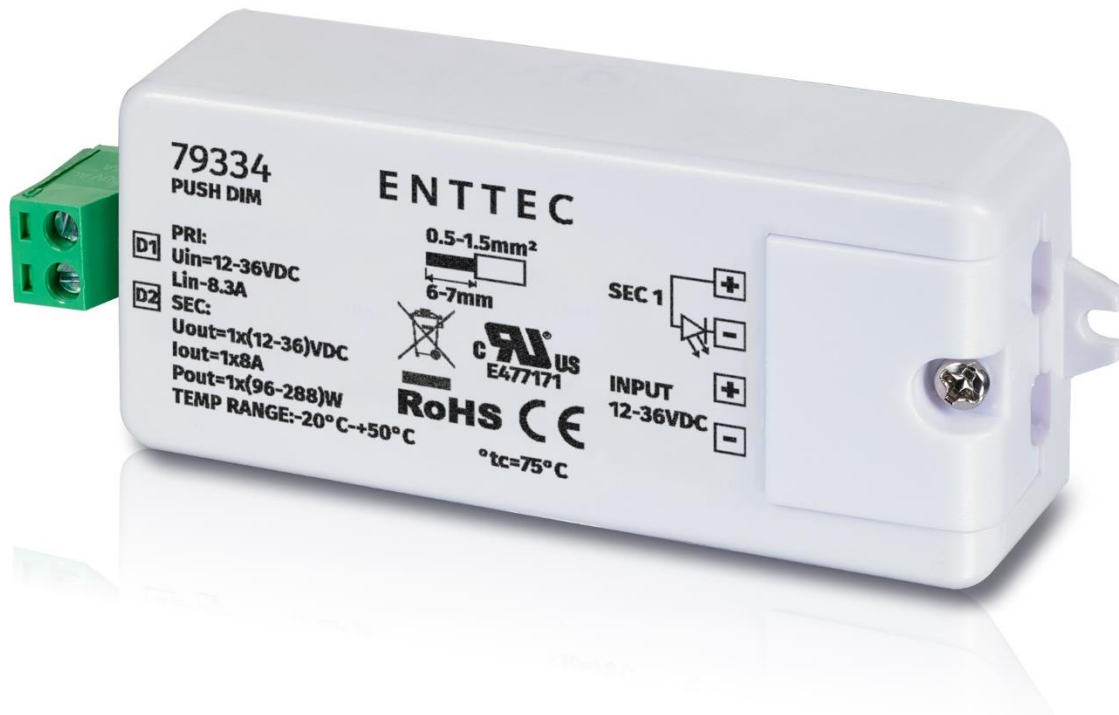


PUSH DIM 8A 12-36V LED Dimmer

PUSHDIM LED Dimmer



General Information

- 0-10VDC single channel PWM dimmer
- Smooth full range logarithmic fade curve tuned to human vision.
- Constant Voltage output.
- This device will require an external DC power supply (not included) for normal operation.

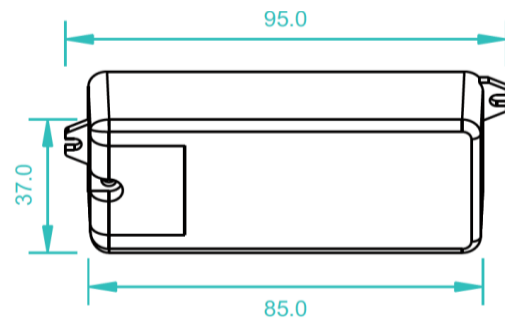
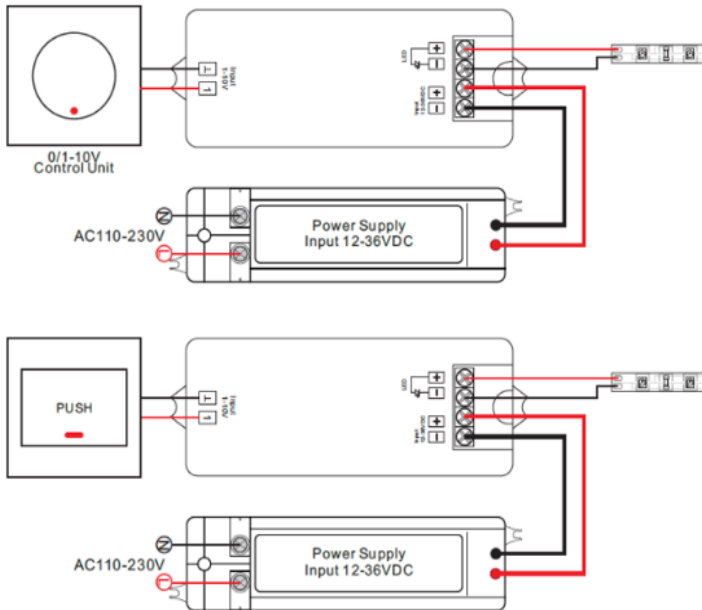
Features

- 1 channel ultra-high PWM output
- Screw terminal connections.
- Two holes for wall mounting.
- IP20 moulded shell.

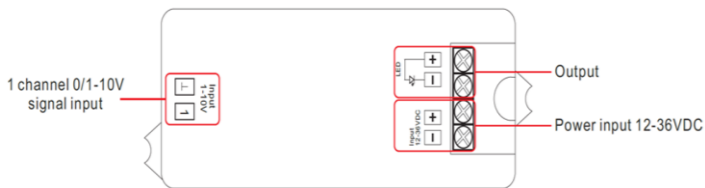
Technical Specifications

Item	Value
Input Voltage	Input voltage 12VDC-36VDC
Maximum Current	8A (96-288W)
Output Type	Constant Voltage
Max Output Channels	1
Supported Protocols	0-10v Dimming (IEC 60929) PUSHDIM
Control Resolution	8-Bit dimming (256 graduations)
Connectors	Screw Terminals
Environment	Ambient: 20 C to +30 C Humidity: 0-50% non-condensing
IP Rating	IP20

Wiring Schematic



Driver Layout



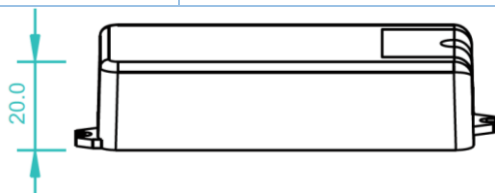
Installation

- This product should be installed and serviced by a qualified person.
- Do not expose this unit to direct sunlight or water. If installed outdoors, ensure it is mounted within a waterproof enclosure.
- Never connect any cables whilst the power is on and always assure correct connections before switching on to avoid short circuits and irreversible damage.
- Ensure the output voltage of any power supplies used comply with the working voltage of the unit.
- This product should be installed and serviced by a qualified person.
- Always be sure to mount this unit in an area with proper ventilation to avoid overheating.

Due to continuous improvements and innovations of all ENTTEC products, specifications and features are subject to change without notice. For the latest version of this manual contact your local ENTTEC vendor.

Dimensions

Item	Value
Weight	0.045Kg
Height	20.0mm
Width	37.0mm
Length	95.0mm



Ordering Information

ENTTEC PUSH DIM 8A 12-36V LED DIMMER and related products can be ordered from our website or through your ENTTEC dealer using the following part numbers.

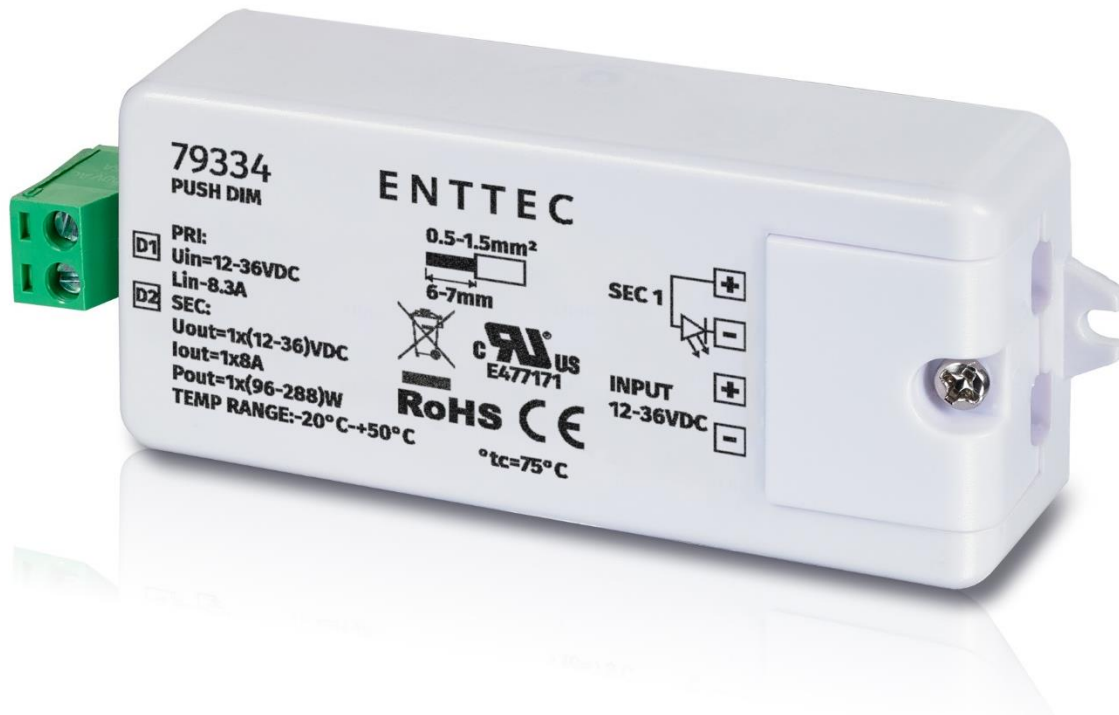
Item	Value
79334	PUSH DIM 8A 12-36V LED DIMMER



sales@enttec.com
www.enttec.com

PUSH DIM 8A 12-36V LED Dimmer

PUSHDIM LED Dimmer



General Information

- 0-10VDC single channel PWM dimmer
- Smooth full range logarithmic fade curve tuned to human vision.
- Constant Voltage output.
- This device will require an external DC power supply (not included) for normal operation.

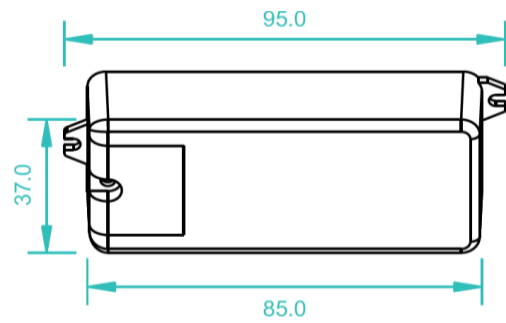
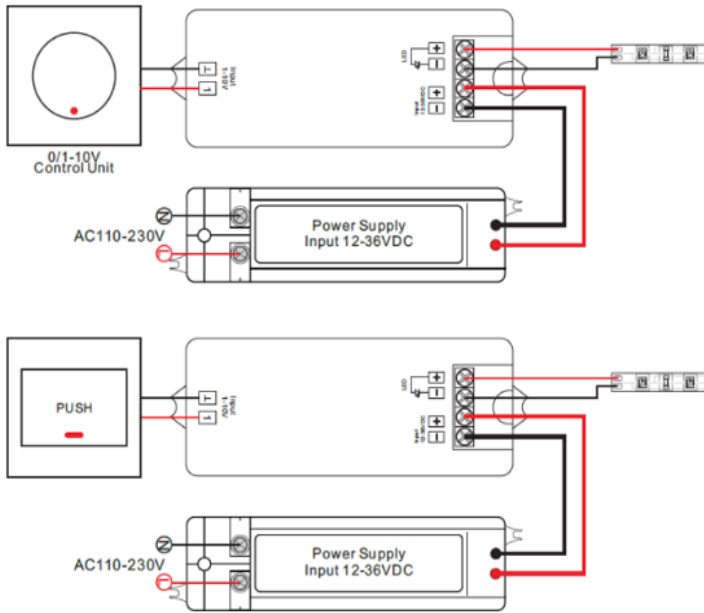
Features

- 1 channel ultra-high PWM output
- Screw terminal connections.
- Two holes for wall mounting.
- IP20 moulded shell.

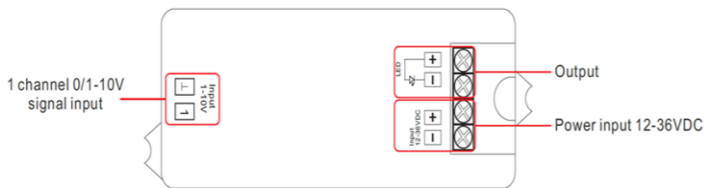
Technical Specifications

Item	Value
Input Voltage	Input voltage 12VDC-36VDC
Maximum Current	8A (96-288W)
Output Type	Constant Voltage
Max Output Channels	1
Supported Protocols	0-10v Dimming (IEC 60929) PUSHDIM
Control Resolution	8-Bit dimming (256 graduations)
Connectors	Screw Terminals
Environment	Ambient: 20 C to +30 C Humidity: 0-50% non-condensing
IP Rating	IP20

Wiring Schematic



Driver Layout



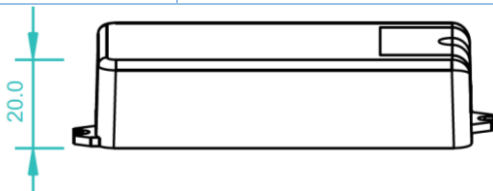
Installation

- This product should be installed and serviced by a qualified person.
- Do not expose this unit to direct sunlight or water. If installed outdoors, ensure it is mounted within a waterproof enclosure.
- Never connect any cables whilst the power is on and always assure correct connections before switching on to avoid short circuits and irreversible damage.
- Ensure the output voltage of any power supplies used comply with the working voltage of the unit.
- This product should be installed and serviced by a qualified person.
- Always be sure to mount this unit in an area with proper ventilation to avoid overheating.

Due to continuous improvements and innovations of all ENTTEC products, specifications and features are subject to change without notice. For the latest version of this manual contact your local ENTTEC vendor.

Dimensions

Item	Value
Weight	0.045Kg
Height	20.0mm
Width	37.0mm
Length	95.0mm



Ordering Information

ENTTEC PUSH DIM 8A 12-36V LED DIMMER and related products can be ordered from our website or through your ENTTEC dealer using the following part numbers.

Item	Value
79334	PUSH DIM 8A 12-36V LED DIMMER



sales@enttec.com
www.enttec.com