

## PIXELATOR MINI PX1-8D

### 8 PORT DIN-RAIL MOUNTABLE PIXEL CONTROLLER



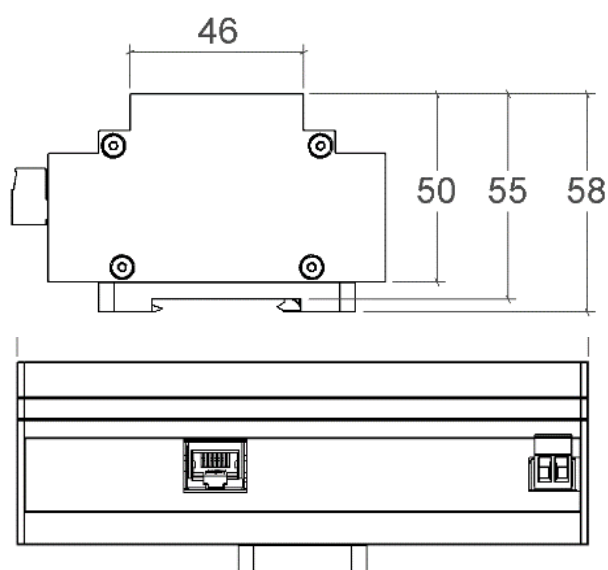
#### Features

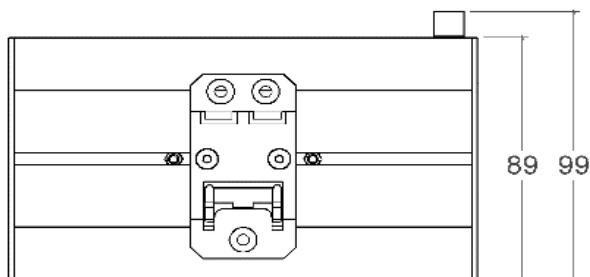
- 8 Pixel Link (RJ-45) data output ports
- 1 RJ45 Ethercon connector (10/100 Mbps)
- DIN Rail mount (attached)
- 2pin Terminal connector for power input
- Each Plink output can be mapped to 2 Ethernet Universes.
- 16 Universe Ethernet to Plink
- Control a maximum of 2,720 RGB pixels.
- Easy to configure through any web browser
- Supports following DMX over Ethernet protocols:
  - Art-Net 1/2/3
  - Streaming ACN (sACN)
  - Kling-net
  - ESP
- Compatible with ENTTEC Plink Injectors and PSAT
- Static or Dynamic (DHCP) IP configuration

(DHCP by default)

- Pixel Grouping is configurable for each Pixel Link port. (1 to 340) for RGB and (1 to 256) for RGBW
- Pixel Ordering is configurable for each Pixel Link port.
- Each port outputs at 40 frames per second (fps)

#### Physical Dimensions





**Note:**

All dimensions are in millimetres unless specified otherwise

## Safety

- This unit is intended for indoor use only.
- Do not expose this device to rain or moisture, doing this will void the warranty.
- Make all connections before powering unit
- Do not remove the cover, there are no user serviceable components inside.
- Never plug this unit in to a dimmer pack

## Ordering Information

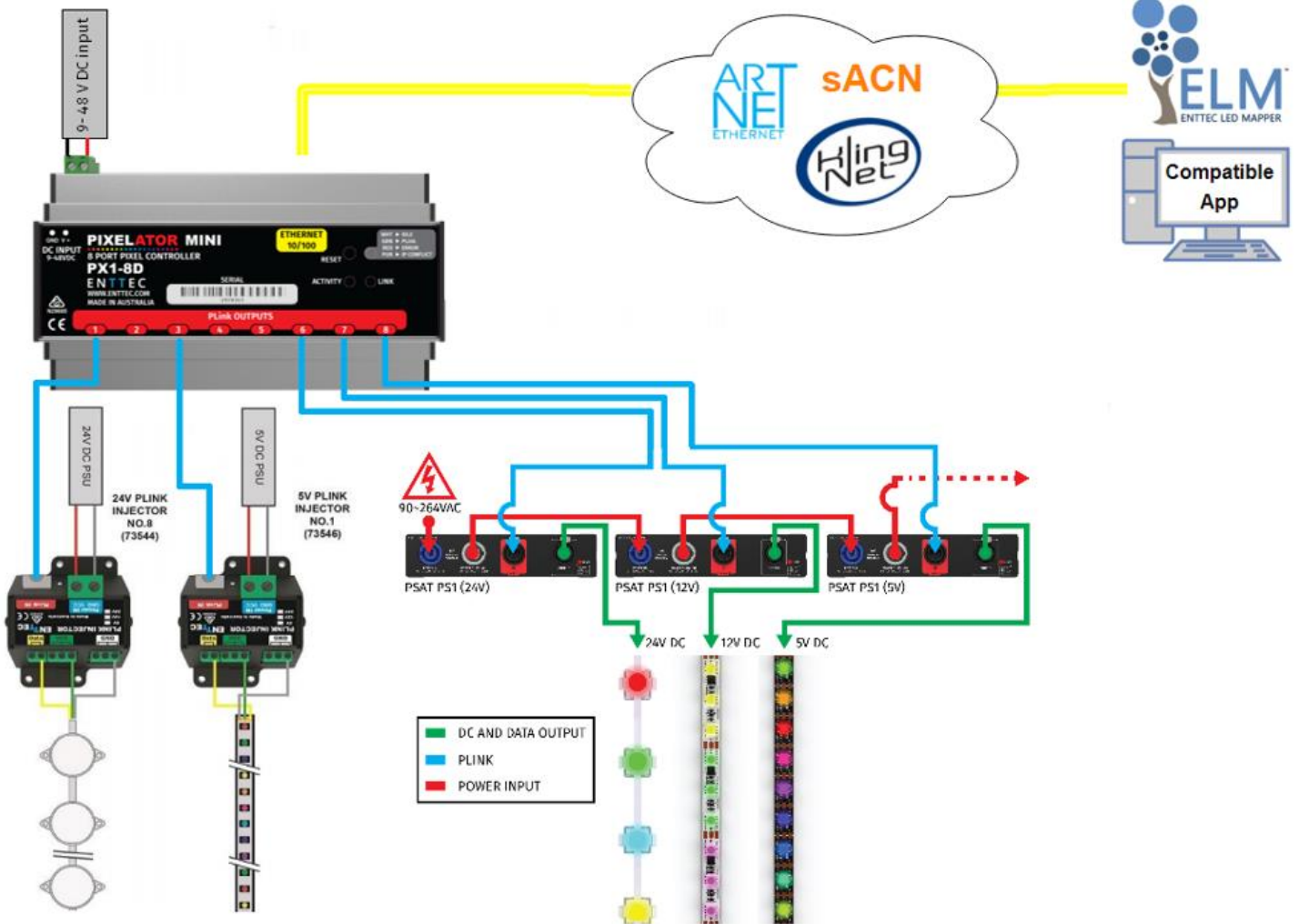
| Part Number | Description           |
|-------------|-----------------------|
| 71066       | Pixelator Mini PX1-8D |

## Specifications

| Item                          | Value  |
|-------------------------------|--|
| <b>Input Voltage</b>          | 9V – 48 V DC   |
| <b>Input Current Required</b> | <b>9 V DC</b> 400 mA   |
|                               | <b>48 V DC</b> 75 mA   |
| <b>Unit Weight</b>            | 0.357 kg / 0.787 lb  |
| <b>Shipped weight</b>         | 0.517 kg / 1.140 lb  |
| <b>Length</b>                 | 156 mm / 6.14 inches   |
| <b>Width</b>                  | 99mm / 3.90 inches   |
| <b>Height</b>                 | 58 mm / 2.28 inches  |
| <b>Output Protocol</b>        | For supported protocols, please refer to support page: <a href="https://www.enttec.com/support/supported-led-pixel-protocols/">https://www.enttec.com/support/supported-led-pixel-protocols/</a> |
| <b>Input Protocol</b>         | Art-Net, sACN, Kling-net or ESP  |
| <b>Op Environment</b>         | -15°C to 75°C  |
| <b>Storage temperature</b>    | -20°C to 80°C  |
| <b>Humidity</b>               | 5% to 95%  |
| <b>IP Rating</b>              | IP20   |
| <b>Connectors</b>             | 8x RJ45 Plink output<br>1x 2 pin screw terminal<br>1x RJ45 Ethercon connector  |

Due to continuous improvements and innovations of all ENTTEC products, specifications and features are subject to change without notice.

## Application Diagram



Note: Connected fixtures for illustration purpose only. Only one protocol active at a time.

# enttec.com

MELBOURNE AUS / LONDON UK / RALEIGH-DURHAM USA