

IP66 PLINK INJECTOR (PJ1-56)

IP66 PIXEL LED DRIVER



Functional Features

- IP66 PLINK supports a variety of smart pixel tape and dots
- Data extensions up to 300 meters over cat6 cable
- Each PLINK run allows a maximum of 1024 DMX channels (2 universes) to be driven; this can be used to control 340 RGB individual pixels (or 256 RGBW pixels)
- This device is compatible with ENTTEC Pixelator family.
- Requires an external DC power supply
- Scalable design for large projects
- Ideal for custom pixel LED installations

Mechanical Features

- Machined 6061 aluminium enclosure - light weight, rugged, impact resistant, long lasting, corrosion resistant, UV resistant)
- Anodise type II closure treatment and 2 step electrolytic dying - excellent outdoor resilience, corrosion resistant, colour will resist fading caused by UV exposure
- 304 stainless fasteners (corrosion resistant)
- Self-retaining screws (screws will not be lost when installing)
- Premium cable glands (nylon, cable diameter \varnothing 3mm to 10mm for installation flexibility)

- Fixed cable glands for easy use (cable glands will not rotate when tightening)
- Breath seal (automatic pressure equalisation, manages condensation to avoid electronic failures)
- IP66 enclosure (powerful water jets, high pressure washdown resistant)
- High power screw down cage terminal blocks for secure wiring
- Krone punch down terminals for fast secure data wiring
- External earthing thread - reduces electronic failures
- Broad operating temperature (suitable for various environments)
- Multiple fixing points (flexible installation)

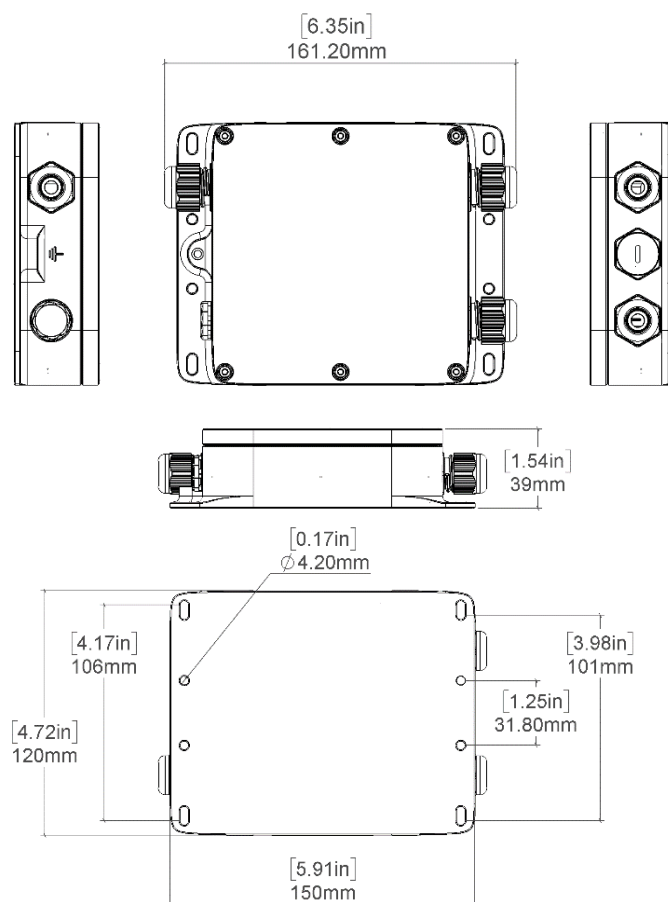
Safety

- Never plug PLINK ports in to Ethernet outlets.
- Make all the connections before you plug in the main power supply.
- Do not exceed the max. ratings of the device.

Notes:

- Plink system only works with CAT5/6 straight-through cables, do not use crossover cables.

Physical Dimensions



Hardware Terminal Specifications

- **Power supply and output connection:**

Green terminal blocks

Wire strip length: 8mm

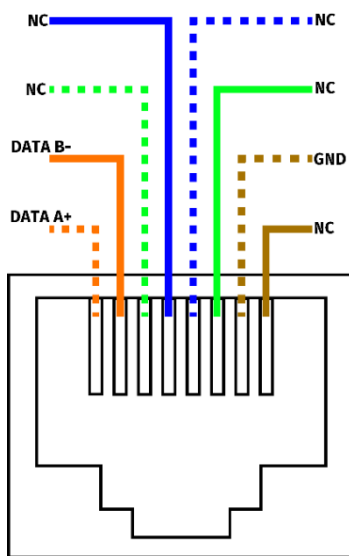


- **Plink Data connection:** Punch down terminals, use a krone punch down tool.

- **Plink Pinout**

Wire colour depends on RJ45 wiring colour code. Refer to Pin 1 & 2 colour of straight through RJ45 cable to match wire colour for Data A+ & Data B-

- Example of T568B colour code and colour for Data A+ & Data B-



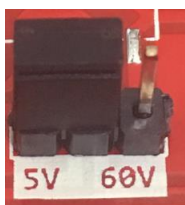
Plink Punch down pinout with T568B colour code

Wire Colour	DMX Signal
Orange/White	Data A+
Orange	Data B-
Brown/White	GND

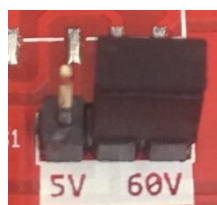
Voltage Specification

- **IMPORTANT! VOLTAGE INPUT SETTING**

This product has 2 settings for the voltage input, 5V and 12-60V. If the voltage is not correctly set this product will fail. See below for correct positions.



Dec-19



Set for 12V – 60V input

Specifications

Item	Details	
Input Voltage	5V to 60V DC	
Maximum Total Output Power	5 V	50 W
	60 V	130 W
Output Current (Max) Per Pin (Screw Terminal)	10 A per Channel	
Data In	PLINK	
Data Through	PLINK	
Data Refresh Rate	400 Hz	
Ambient Operating Temperature	-15 °C to 40 °C -15 °C to 60 °C (IF NOT IN DIRECT SUNLIGHT)	
Storage Temperature	-20 °C to 80 °C	
Humidity	5% to 95%	
IP Rating	IP66	
Unit Weight	625 g / 1.378 lb	
Shipped weight	840 g / 1.85 lb	
Length	161.20 mm / 6.35 inches	
Width	120 mm / 4.72 inches	
Height	39 mm / 1.54 inches	
Internal Connectors	4-way punch down (suits krone) x 1 2 pin screw terminal x 1 3 pin screw terminal x 1	

Due to continuous improvements and innovations of all ENTTEC products, specifications and features are subject to change without notice

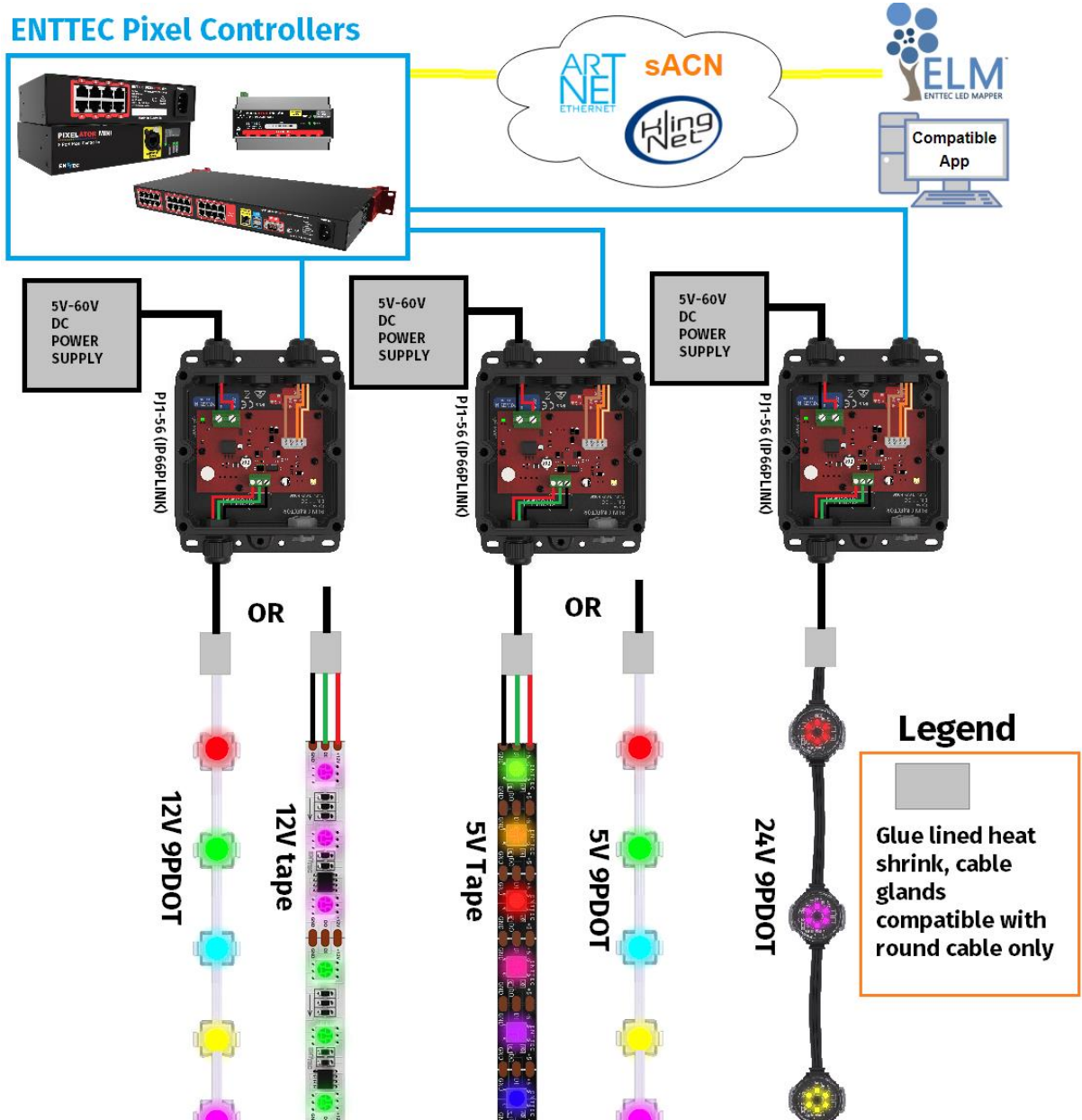
Ordering Information

Part Number	Description
73923	IP66 PLINK Injector (PJ1-56)

enttec.com

MELBOURNE AUS / LONDON UK / RALEIGH-DURHAM USA

Possible Application Diagram



Possible End to End IP Solution

