

IP66 CVC3 (CC1-36)

IP66 3-CHANNEL CONSTANT VOLTAGE LED TAPE DRIVER



Functional Features

- CVC3 supports standard RGB Tape such as ENTTEC 9VL4
- Each CVC3 unit can control up-to 3 dimmable channels of LED tape using PLINK data (either RGB or three individual single colour strips)
- Each PLINK run allows a maximum of 1024 DMX channels (2 universes) to be driven; this can be used to control 1020 single colour tapes
- Automatic incremental addressing when units are daisy chained together
- Compatible with ENTTEC Pixelator family
- Requires and external DC power supply
- PLINK data extensions up-to 300 meters over cat6 cable
- Scalable design for large projects

Mechanical Features

- Machined 6061 aluminium enclosure - light weight, rugged, impact resistant, long lasting, corrosion resistant, UV resistant)
- Anodise type II closure treatment and 2 step electrolytic dying - excellent outdoor resilience, corrosion resistant, colour will resist fading caused by UV exposure
- 304 stainless fasteners (corrosion resistant)
- Self-retaining screws (screws will not be lost when installing)
- Premium cable glands (nylon, cable diameter \varnothing 3mm-10mm for installation flexibility)
- Fixed cable glands for easy use (cable glands will not rotate when tightening)
- Breath seal (automatic pressure equalisation, manages condensation to avoid electronic failures)

- IP66 enclosure (powerful water jets, high pressure washdown resistant)
- High power screw down cage terminal blocks for secure wiring
- Krone punch down terminal for fast secure data wiring
- External earthing thread - reduces electronic failures
- Broad operating temperature (suitable for various environments)
- Multiple fixing points (flexible installation)

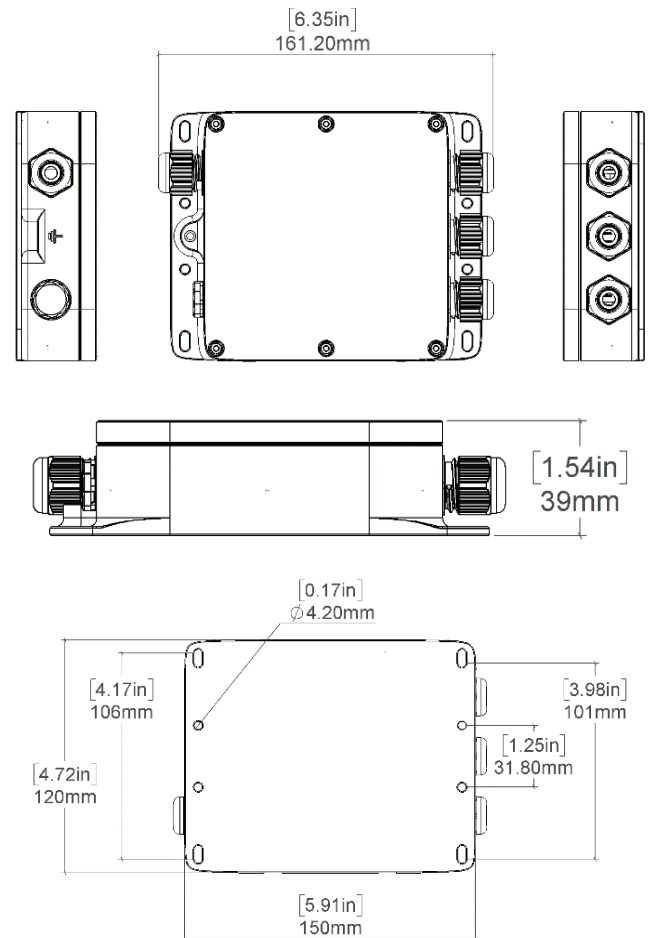
Safety

- Never plug PLINK ports in to Ethernet outlets.
- Make all the connections before you plug in the main power supply.
- Do not exceed the ratings of the device.

LED Protocol

- This device is compatible with ENTTEC Pixelator family
- Please set the LED protocol to WS2812B

Physical Dimensions



Hardware Terminal Specifications

- **Plink Data connection:** Punch down terminals, use a krone punch down tool.

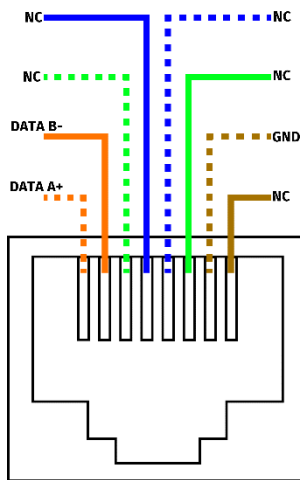
Notes:

- Plink system only works with CAT5/6 straight-through cables, do not use crossover cables.

- **Plink Pinout**

Wire colour depends on RJ45 wiring colour code. Refer to Pin 1 & 2 colour of straight through RJ45 cable to match wire colour for Data A+ & Data B-

- Example of T568B colour code and colour for Data A+ & Data B-

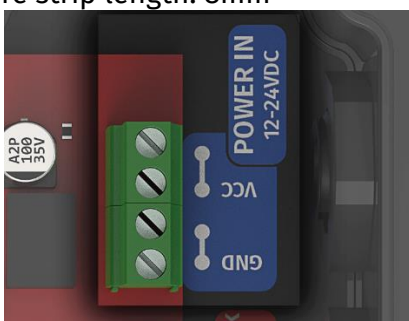


CC1-36 CVC3 Punch down pinout with T568B colour code

Wire Colour	DMX Signal
Orange/White	Data A+
Orange	Data B-
Brown/White	GND

- **Power supply connection:** Green terminal blocks

Wire strip length: 8mm



Ordering Information

Part Number	Description
73921	CC1-36 CVC3 (12-24v)

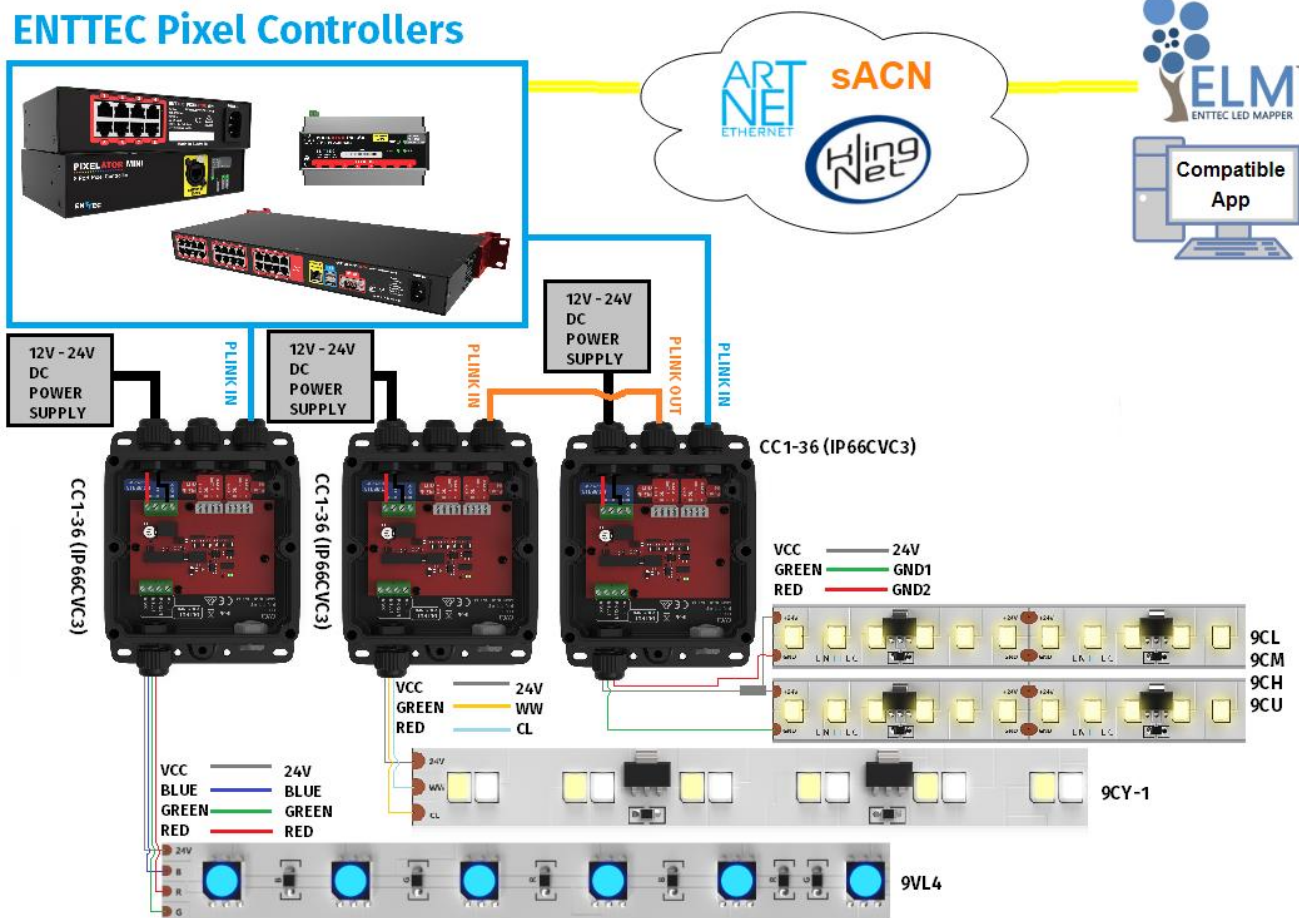
Specifications

Item	Details	
Input Voltage	12-24v DC	
Maximum Total Output Power	12V	120 W
	24V	240 W
Output Current (Max) Per Pin (Screw Terminal)	5 A per Channel	
Data In	PLINK	
Data Through	PLINK	
Data Refresh Rate	400 Hz	
Ambient Operating Temperature	-15 °C to 40 °C -15 °C to 60 °C (IF NOT IN DIRECT SUNLIGHT)	
Storage Temperature	-20 °C to 80 °C	
IP Rating	IP66	
Cable glands	3 to 10mmØ round cable only	
Unit Weight	625 g / 1.378 lb	
Shipped weight	840 g / 1.85 lb	
Length	161.20mm/6.35 inches	
Width	120mm/4.72 inches	
Height	39mm/1.54 inches	
Internal Connectors	4-way punch down (suits krone) x 2 4 pin screw terminal x 2	

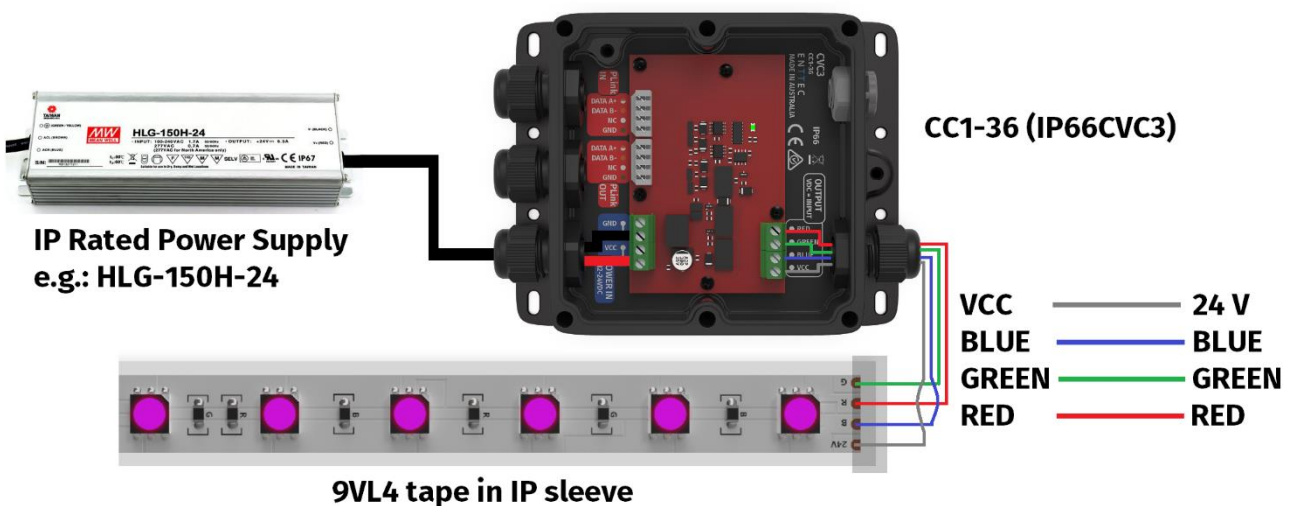
Due to continuous improvements and innovations of all ENTTEC products, specifications and features are subject to change without notice

Application Diagram

ENTTEC Pixel Controllers



Possible End to End IP Solution



enttec.com

MELBOURNE AUS / LONDON UK / RALEIGH-DURHAM USA