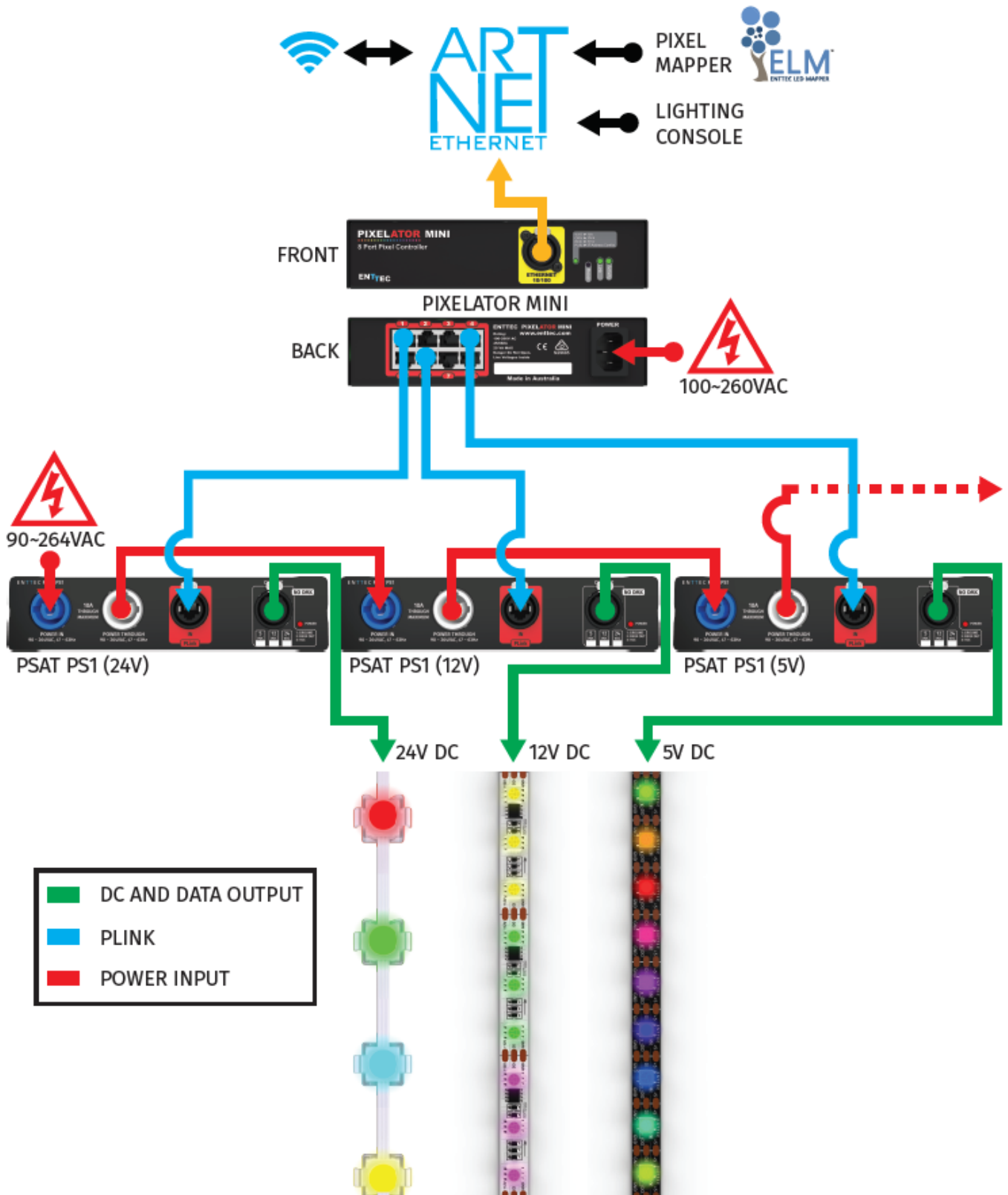


PSAT Installation Sheet



- Please make sure the **Voltage** of the Pixel Tape or Dots match the **Voltage** of the PSAT, before connecting it to the PSAT.
- **PLINK Input** should be connected to a compatible Pixel Controller only (Pixelator, Pixelator Mini or Pixie Driver (requires pixie linker)) using a cat5 / cat6 cable. Cat6 cable is recommended for longer distances.
- It is recommended to use the **Pixel Output connector** provided. It allows easy connection to ENTTEC Pixel Tape or Pixel dots
- Please refer to the Wiring diagram for more details
- Consider leakage current of each unit, <2mA, when calculating maximum units powered through daisy chain

Wiring Diagram



Tips and Tricks

Choosing a PSAT

When choosing a PSAT consider the following:

- What is the voltage of the LED tape/Dots used?
- What is the power requirement of the display?

The maximum power limit and the output voltage for the PSAT is provided in the table below:

Product Part No.	Maximum Power/W	Output Voltage/V	Maximum Current/A
75008-16	60	12	5
75008-26	60	24	2.5
75008-55	50	5	10
75009-12	120	12	10
75009-24	130	24	5.42

Please make sure the Voltage of the Pixel Tape or Dots match the Voltage of the PSAT, before connecting it to the PSAT.

Can I run tapes and dots at the same time?

No, only one LED protocol can be selected to drive the output at a given time.

What is the maximum length I can extend my Data?

Data extensions up to **300 meters over Cat6** cable only; if using Cat5 cable, this distance will be reduced.

What Pixel product can I use with my PSAT?

PSAT is compatible with ENTTEC **Pixelator**, **Pixie Driver (requires pixie linker)** and **Pixelator Mini**.

- The Plink Data is generated from the Pixelator, Pixie Driver or Pixelator Mini. It cannot be changed by the PSAT
- To make any changes to the Data, please change settings on Pixelator, Pixie Driver or

Pixelator Mini

How many pixels can I control with my PSAT?

PSAT outputs 2 Universes.

If using **RGB pixels**, PSAT controls up to **340 pixels**

If using **RGBW pixels**, PSAT controls up to **256 pixels**

enttec.com

MELBOURNE AUS / LONDON UK / RALEIGH-DURHAM USA