

## 200 W DALI DT8 LED Driver (Constant Voltage)



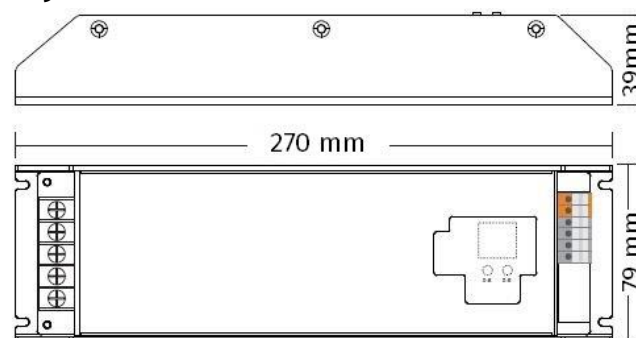
### Features

- AC power input through screw terminal
- Dimmable LED driver
- Rectangle metal case
- 4 channels 24VDC constant voltage output
- Class 1 power supply, full isolated metal case
- Low standby power < 1W
- Built-in DALI (device type 8) dimming interface
- Built-in DALI/PUSH dimming interface
- PWM digital dimming, standard DALI logarithmic dimming curve
- Complies with DALI standards IEC62386-101, 102, 207
- Compliant with Safety Extra Low Voltage standard
- Short circuit, over load, over temperature protection
- IP20 rating, suitable for indoor LED lighting
- Digital display indicating DALI addresses
- DALI address can be assigned manually or through DALI master

### Safety

- The product should be installed and serviced by a qualified person
- Please avoid exposure to sun and rain
- Always be sure to mount this unit in an area with proper ventilation to avoid overheating
- Please check if the output voltage of any LED power supplies used comply with the working voltage of the product
- Make all the connections before you plug in the main power supply.

### Physical Dimensions



## Operation

### Set DALI Address Manually via Buttons

- Press and hold down any of the two buttons until numeric digital display flashes, then release the button
- Click any of the two buttons once to select a digit, click again to change the digit until the desired DALI address appears.
- Click first button (left) to set “tens” position and second button (right) for “units” position
- Then press and hold down any of the 2 buttons until the numeric digital display stops flashing to confirm the setting

### Digital Display

- By default, displays FF, which implies driver has no address assigned
- When DALI address is set manually display flashes
- Digits on display indicate driver address when it is set manually
- When DALI address quantity is set display alternates between values 1A, 2A, 3A or 4A
- Display will show AU when DALI master is assigning address

### Set DALI Address Quantity

- Press and hold down the two buttons in front until numeric digital display flashes
- Set 1A, 2A, 3A or 4A using first(left) button
- For instance, when we set driver address to 10:
- 1A – All channels have the same address. 10
- 2A – channels 1&3 take address 10 while 2&4 are 11

- 3A– channels 1,2,3 take addresses 10, 11, 12 respectively, channel 4 will be address 10
- 4A – channels 1,2,3 and 4 will take addresses 10, 11,12 and 13 respectively

## Ordering Information

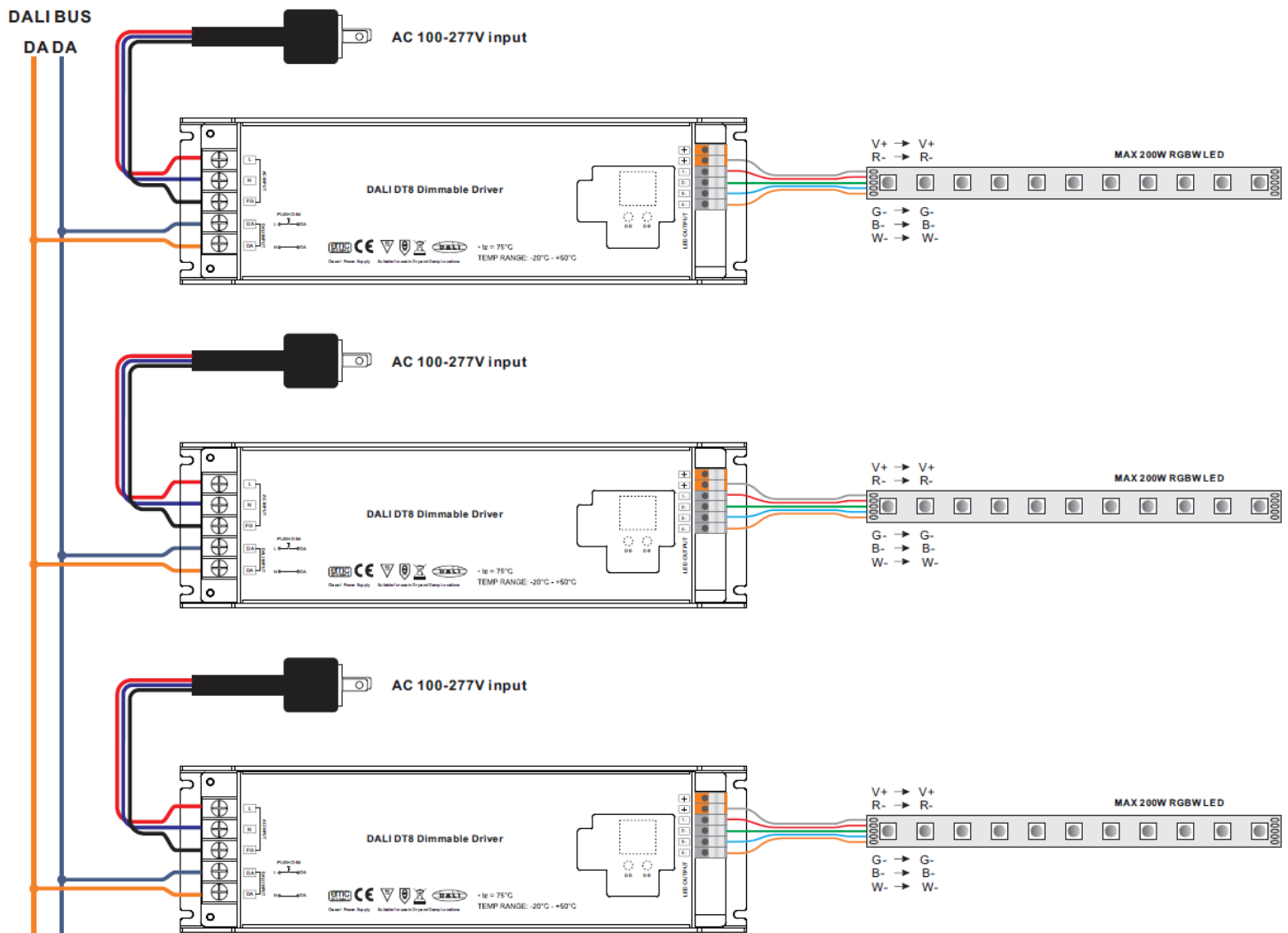
Part Number	Description
72309	200 W Constant Voltage DALI D8 LED Driver

## Specifications

Item	Value	
<b>Input Voltage</b>	100 – 277 V AC	
<b>Input Frequency</b>	50/60 Hz	
<b>Output Voltage</b>	24 V DC	
<b>Maximum Total Output Power</b>	200 W	
<b>Maximum Current per Channel</b>	4.1 A	
<b>Number of output Channels</b>	4	
<b>Total possible DALI addresses</b>	00 to 63	
<b>Maximum Total Output current</b>	8.4 A (ch1+ch2+ch3+ch4 = 8.4A)	
<b>Device Protection</b>	Short circuit	Recover automatically after fault condition is removed
	Over current	
	Over temperature	
<b>Dimming Curve</b>	Logarithmic	
<b>Ambient Operating Temperature</b>	-25 °C to 45°C	
<b>Working Humidity</b>	10% to 95% non-condensing	
<b>Connectors</b>	x5 screw terminal x6 screw less terminal	
<b>IP Rating</b>	IP 20	
<b>Unit Weight</b>	0.91 Kg / 2.01 lb	
<b>Packaging Dimensions</b>	270 mm (L) 79mm (W) 39mm (H)	

Due to continuous improvements and innovations of all ENTTEC products, specifications and features are subject to change without notice.

## Wiring Diagram



# enttec.com

MELBOURNE AUS / LONDON UK / RALEIGH-DURHAM USA