

200 W DALI LED Driver (Constant Voltage)



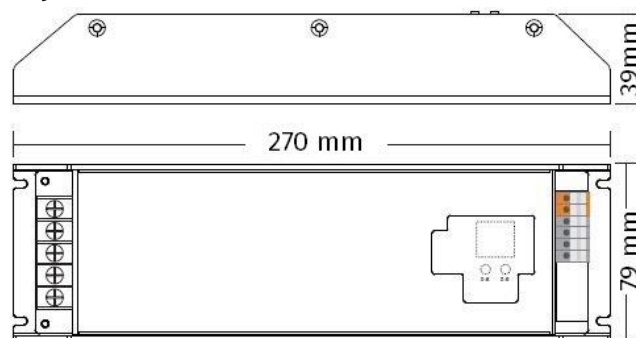
Features

- AC power input through screw terminal
- Dimmable LED driver
- Rectangle metal case
- 4 channels 24VDC constant voltage output
- Class 1 power supply, full isolated metal case
- Low standby power < 1W
- Built-in DALI/PUSH dimming interface
- PWM digital dimming, standard DALI logarithmic dimming curve
- Complies with DALI standards IEC62386-101, 102, 207
- Compliant with Safety Extra Low Voltage standard
- Short circuit, over load, over temperature protection
- IP20 rating, suitable for indoor LED lighting
- Digital display indicating DALI addresses
- DALI address can be assigned manually or through DALI master

Safety

- The product should be installed and serviced by a qualified person
- Please avoid exposure to sun and rain
- Always be sure to mount this unit in an area with proper ventilation to avoid overheating
- Please check if the output voltage of any LED power supplies used comply with the working voltage of the product
- Make all the connections before you plug in the main power supply.

Physical Dimensions



Operation

Set DALI Address Manually via Buttons

- Press and hold down any of the two buttons until numeric digital display flashes, then release the button
- Click any of the two buttons once to select a digit, click again to change the digit until the desired DALI address appears.
- Click first button to set “tens” position and second button to set “units” position
- Then press and hold down any of the 2 buttons until the numeric digital display stops flashing to confirm the setting

Digital Display

- By default, displays FF, which implies driver has no address assigned
- When DALI address is set manually display flashes
- Digits on display indicate driver address when it is set manually
- When DALI address quantity is set display alternates between values 1A, 2A, 3A or 4A
- Display will show AU when DALI master is assigning address

Set DALI Address Quantity

- Press and hold down the two buttons in front until numeric digital display flashes
- Set 1A, 2A, 3A or 4A using first(left) button
- For instance when we set driver address to 10:
- 1A – All channels have the same address. 10
- 2A – channels 1&3 take address 10 while 2&4 are 11
- 3A– channels 1,2,3 take addresses 10, 11, 12 respectively, channel 4 will be address 10
- 4A – channels 1,2,3 and 4 will take addresses 10, 11,12 and 13 respectively

Ordering Information

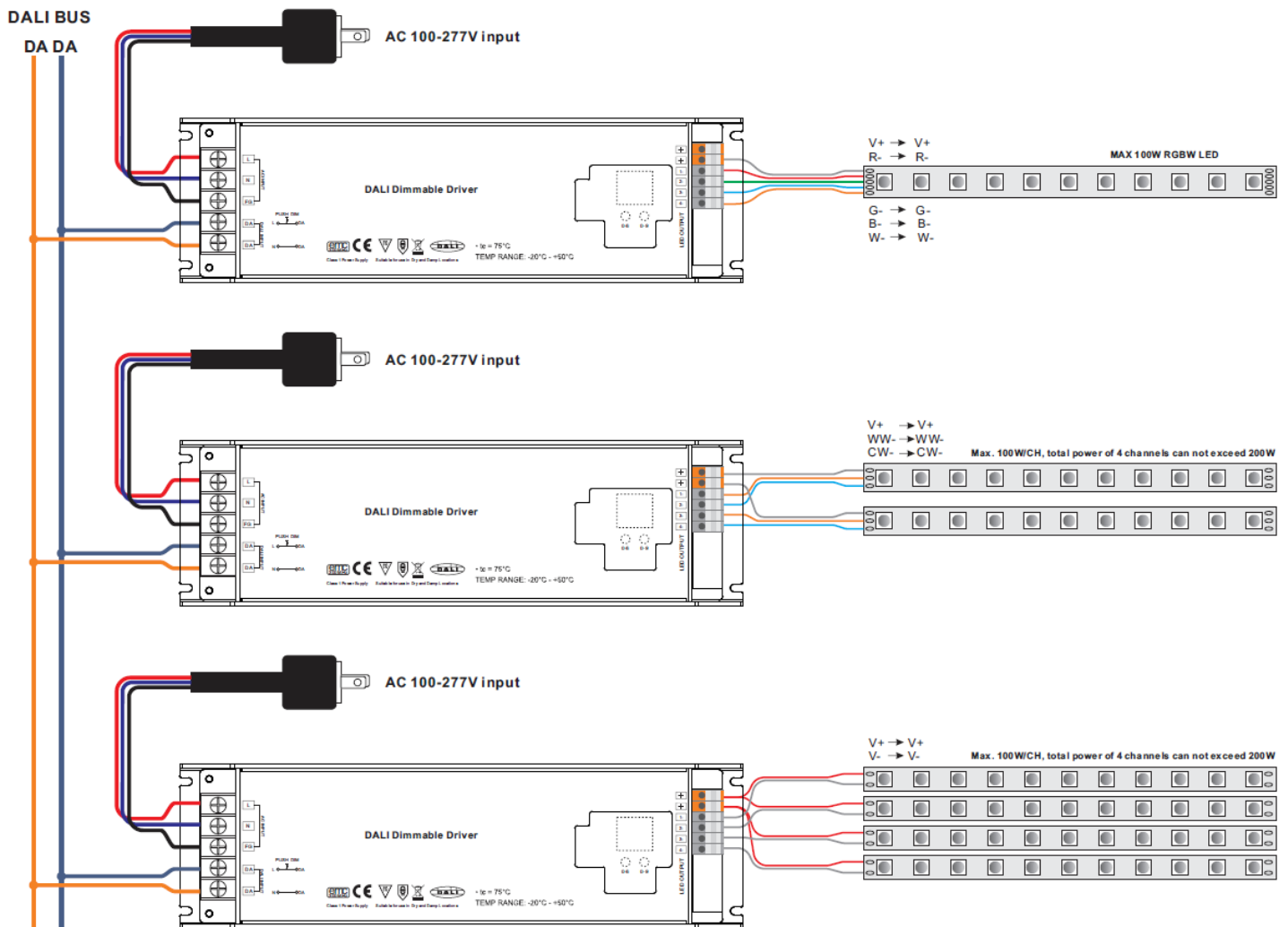
Part Number	Description
72305	200 W Constant Voltage DALI LED Driver

Specifications

Item	Product Name	
Input Voltage	100 – 277 V AC	
Input Frequency	50/60 Hz	
Output Voltage	24 V DC	
Maximum Total Output Power	200 W	
Maximum Current per Channel	4.1 A	
Number of output Channels	4	
Total possible DALI addresses	00 to 63	
Maximum Total Output current	8.4 A (ch1+ch2+ch3+ch4 = 8.4A)	
Device Protection	Short circuit	Recover automatically after fault condition is removed
	Over current	
	Over temperature	
Dimming Curve	Logarithmic	
Ambient Operating Temperature	-25 °C to 45°C	
Working Humidity	10% to 95% non-condensing	
Connectors	x5 screw terminal x6 screw less terminal	
IP Rating	IP 20	
Unit Weight	0.92 Kg / 2.02 lb	
Packaging Dimensions	270 mm (L) 79mm (W) 39mm (H)	

Due to continuous improvements and innovations of all ENTTEC products, specifications and features are subject to change without notice.

Wiring Diagram



enttec.com

MELBOURNE AUS / LONDON UK / RALEIGH-DURHAM USA