

Pixie Driver



Features

- Drives 2 DMX universes worth of 5 Volt Pixel Tape/Dots or 12/24V Pixel Tape/Dots (model dependent).
- In-Built 5V DC power supply with 55 and 110 watts output power units available (pn: 73541 and 73540)
- In-Built 12V DC power supply with 65 and 130 watts output power units available (pn: 73542 and 73543)
- In-Built 24V DC power supply with 65 and 130 watts output power units available (pn: 73547 and 73548)
- Enhanced data outputs with surge protections
- D3 is a duplicated output of D1 for backup
- D4 is a duplicated output of D2 for backup
- 55W and 65W drivers can individually control and power up to 300 RGB pixel LEDs
- 110W and 130W drivers can individually control and power up to 600 RGB pixel LEDs
- Smart thermal management
- DMX512 Controllable and USB configurable
- Supports RGB and RGBW pixel tape
- Quick 2 steps test installation: connect your pixel strips to the screw terminal output and plug mains cable to a wall outlet. It is that easy!
- Standalone test output sequences (no external data required)

- Show record and playback (Art-Net to USB using PRO-Manager App)
- Power and output status LED indicators
- High quality powder coated metal box
- Scalable design for large projects
- Up to 8 units stackable using standard 19" modular rack accessory (sold separately)
- Standard IEC mains and 5Pin-XLR DMX input connectors
- Plug-unplug screw terminal output connector
- Automatic multi voltage mains input (110-250V AC)

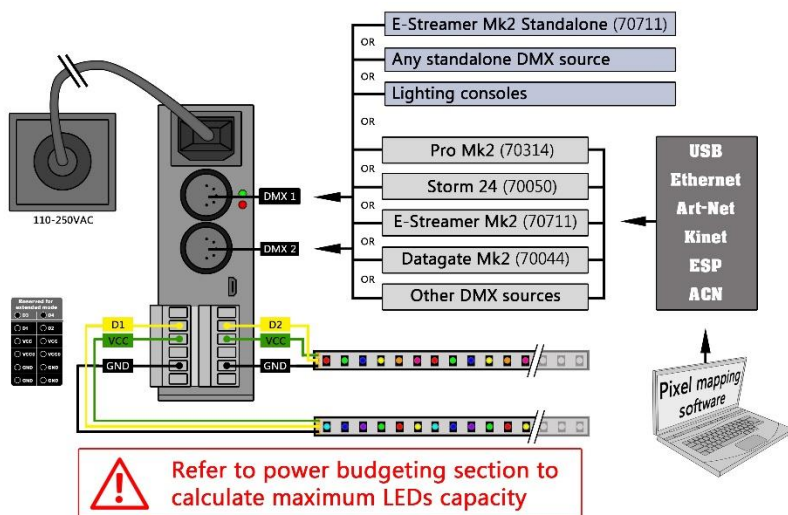
Safety

- This unit is intended for indoor use only
- Do not expose the Pixie Driver to rain or moisture, doing this will void the warranty
- Make all the connections before you plug in the mains power
- Do not remove the cover, there are no serviceable parts inside
- Never plug this unit into a dimmer pack
- Always be sure to mount this unit in an area that will allow proper ventilation. Allow about 6" (20 cm) between this device and a wall
- Power-supply cords should be routed so that they are not likely to be walked on or pinched by items placed upon or against them, pay particular attention to the point they exit from the unit

LED Protocols Supported

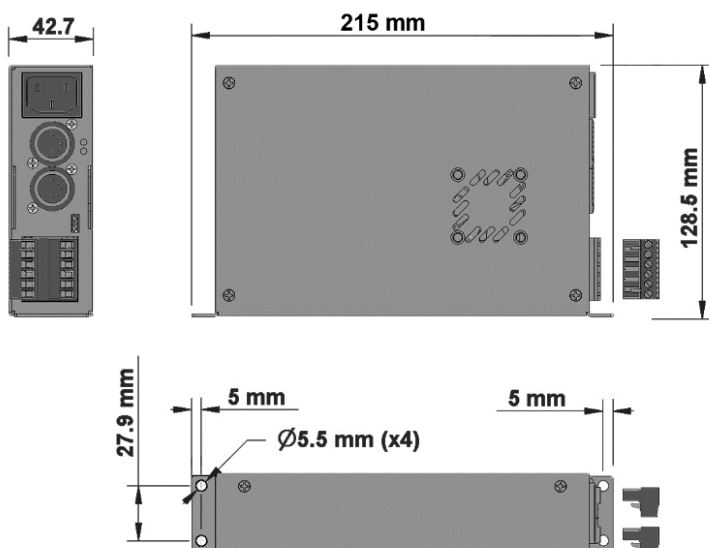
- 9PDOT-8bit
- WS2811
- WS2812 and WS2813 (use WS2812)
- WS2812B
- APA-104 LEDs
- SK6812 – use WS2812B
- TM1804 – use WS2811
- TM1812 – use WS2812B

Wiring Diagrams



Physical Dimensions

The unit is designed to fit the modular rack accessory (sold separately) which allows stacking up to 8 units in a standard 19" rack using 3 standard rack mount units (3RU).



Specifications

Item	Value
Input Voltage	90 – 264V AC
Input Frequency	47 - 63Hz
Maximum Total Output Power	55W and 110W versions (5V) 65W and 130W versions (12/24V)
Power Drawn	1.2W System Standby 56.2W & 111.2W (5V) 66.2W & 131.2W (12/24V)
Maximum Current per source (VCC or VCC0)	11 Amps
Maximum Current per Pin (Screw Terminal)	10 Amps
Data Output Type	Multiple protocols supported
Control Input	DMX512
Show Recording	From Art-Net using Pro Manager software (usb connection required)
Show upload	Through USB port
Cooling Method	Smart Fan (revB onwards)
Operating Ambient Temperature	0 - 40° C
Connectors	2x 5-Pin Male XLR for DMX input 1x Double layer 6-Pin screw terminal 1x 3-Pin IEC C14 Male Socket 10Amps
IP Rating	IP20
Unit Weight	0.96 kg
Shipped Weight	1.389 kg

Ordering Information

PN	Description
73541	PIXIE DRIVER 5V (55 WATTS)
73540	PIXIE DRIVER 5V (110 WATTS)
73542	PIXIE DRIVER 12V (65 WATTS)
73543	PIXIE DRIVER 12V (130 WATTS)
73547	PIXIE DRIVER 24V (65 WATTS)
73548	PIXIE DRIVER 24V (130 WATTS)
73545	PIXIELINKER (5V)

Stackable Modular Rack (Accessory)



The modular rack (sold separately) allows up to 8 Pixie driver units to be stacked up using only 3 standard rack units (3RU). The Rack also has 3 in-built fans at the rear to ensure sufficient airflow

Accessories and Recommended Products

PN	Description
73550-115	8 WAY PIXIE DRIVER RACK (115V AC)
73550-230	8 WAY PIXIE DRIVER RACK (230V AC)
9PDOT (1-8)	HI-RES SMART RGB PIXEL DOTS
8PL60-F-12	RGB PIXEL TAPE 60 LEDS/METER 12V - 5M Roll
8PL30-F	RGB PIXEL TAPE 30 LEDS/METER 5V - 5M Roll
8PL60-F	RGB PIXEL TAPE 60 LEDS/METER 5V - 5M Roll
8PL144-2	RGB PIXEL TAPE 144 LEDS/METER 5V - 2M Roll
8PX60-4	RGBW PIXEL TAPE 60 LEDS/METER 5V - 4M Roll
8PXW60-4-B	RGBW PIXEL TAPE 60 LEDS/METER 5V - 4M Roll Black No Coating
8PX30-F	RGBW PIXEL TAPE 30 LEDS/METER 5V - 5M Roll
8PW60-F	WWA (CTA+AMBER) PIXEL TAPE 60 LEDS/METER 5V - 5M Roll
8PW30-F	WWA (CTA+AMBER) PIXEL TAPE 30 LEDS/METER 5V - 5M Roll
8P60-5-B	Pixel tape 60 LEDS/METER 5V - 5M Roll Black No Coating

Due to continuous improvements and innovations of all ENTTEC products, specifications and features are subject to change without notice.

enttec.com

MELBOURNE AUS / LONDON UK / RALEIGH-DURHAM USA